

**The following blueprints are courtesy
Ralph Hagan, author of "The Liberator Pistol",
and are presented with his permission at
www.biggerhammer.net.**

**For more Liberator info, you can purchase his book at
<http://home.pacbell.net/rlhag65/>**

THE LIBERATOR PISTOL



**DEVELOPMENT
PRODUCTION
DISTRIBUTION**

RALPH HAGAN

REPRODUCTION OF THE U.S. S&W GRAND C.A. TREE GUN

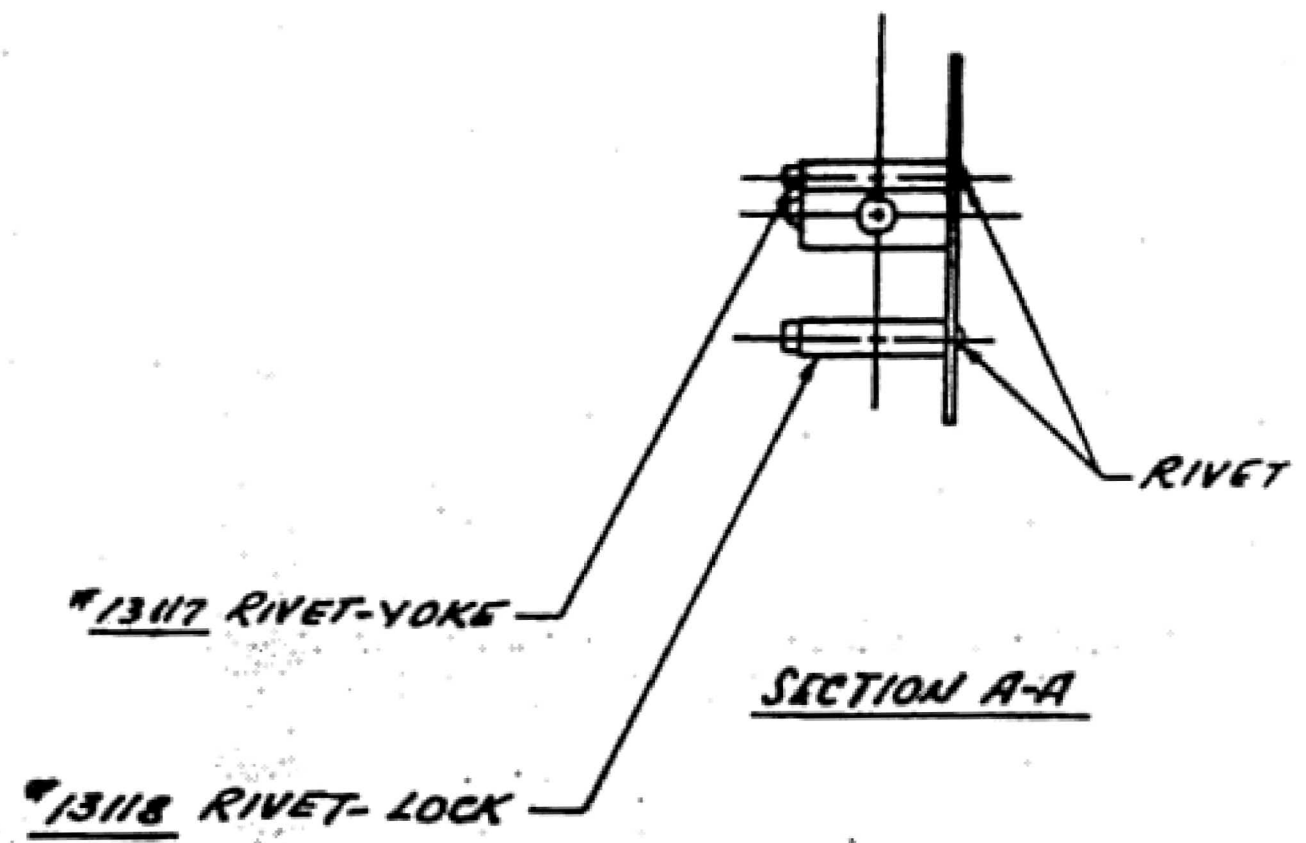
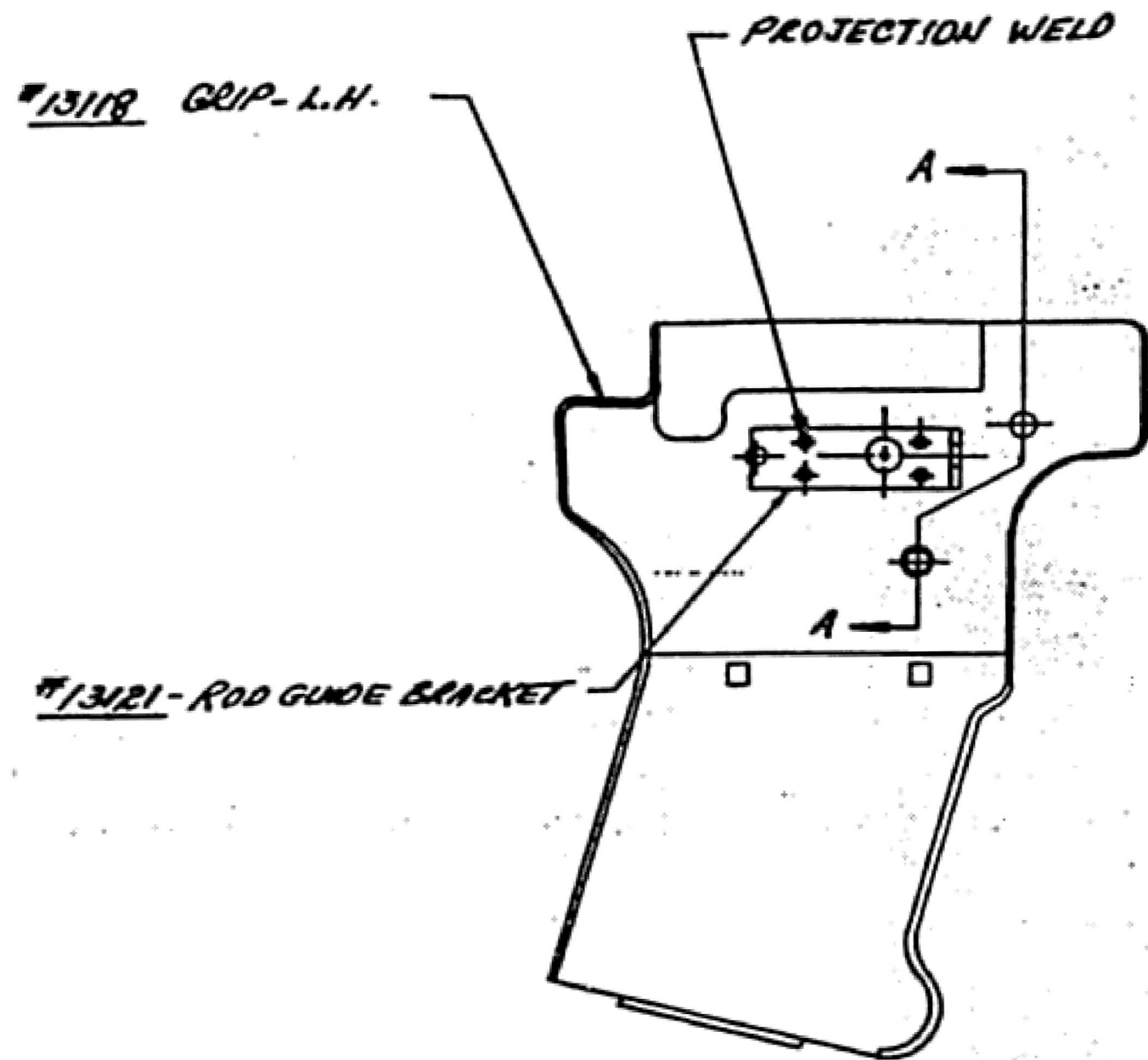
Contents Copyright Ralph Hagan 1996

Part Nomenclature	"Cover Name"	Drawing Number
1. Handgrip	Grip, Left-hand	13108
2. Right Handgrip	Grip, Right-hand	13108-13109
3. Breechblock	Cover, Slide	13127
4. Breechblock Spring	Lock Spring	13119
5. Breechblock Spring Pin	Rivet Lock	13118
6. Barrel Strap	Tube Strap	13125
7. Barrel	Tube	13110
8. Trigger Guard	Spanner	13126
9. Cocking Knob	Control Handle	13124
10. Breechblock Guide Pin	Guide Pin	13124-1
11. Firing Pin	Control Rod-Upper Part	13124
12. Cocking Knob Guide Rod	Control Rod-Lower Part	13120-13124
13. Guide Rod Support	Rod Guide Bracket	13121
14. Guide Rod Spring	Control Rod Spring	13132
15. Guide Rod Collar	Collar	13122
16. Guide Rod Collar Pin	Collar Pin	13123
17. Trigger	Yoke	13113-13131
18. Trigger Spring	Yoke Spring	13115
19. Trigger Connector	Yoke Lever	13114
20. Trigger Connector Pin	Shoulder Rivet	13116
21. Trigger Hinge Pin	Rivet-Yoke	13117
22. Trigger Spacers, 2 each	Spacer	EX-1174-1
23. Magazine Plate	Snap Cover	13112

Also shown are assembly drawing numbers: 13111, 13128, 13129, 13130, 13131 & 13154.
Drawing 13133 is a list of the drawings.

INLAND MANUFACTURING DIVISION

GENERAL MOTORS CORPORATION
DAYTON, OHIO



VARIES ALLOWED PLUS OR MINUS .010 ON FRACTIONAL AND PLUS OR MINUS .005 ON DECIMAL DIMENSIONS UNLESS OTHERWISE SPECIFIED

DO NOT SCALE

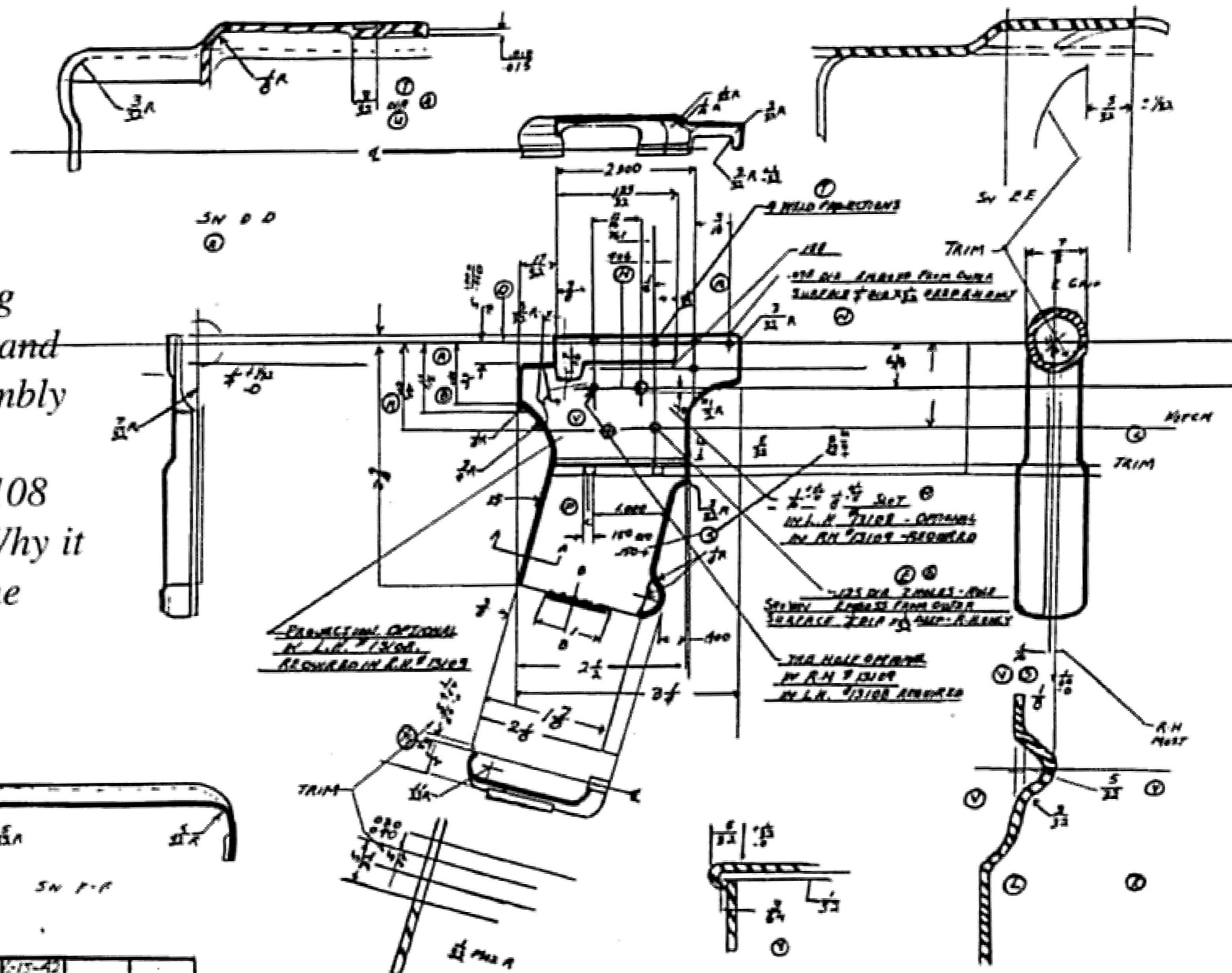
REV.	CHANGES	DATE	C'R	REF. NO.	REV.	CHANGES	DATE	C'R	REF. NO.

MAT'L	C.R.S.	SPEC.	REL. NO.	DATE
FINISH		SPEC.	SCALE	5-15-42
DRAWN BY	DATE STARTED	FINISHED	CHECKED	DATE
	5-15-42			5-15-42
NAME	GRIP L.H. ASSEMBLY			DRAWING & PART NO.
				13108

INLAND MANUFACTURING DIVISION

GENERAL MOTORS CORPORATION
DAYTON, OHIO

Note: Drawing 13109 should be of the right handgrip. This drawing shows both handgrips and appears to be an assembly drawing. The original drawing shows the 13108 and 13109 numbers. Why it is named "Sub Machine Gun" is unknown.



ADDED NOTE	5-17-42
150°05 WAS 140°05	7-9-42
WAS 3/32 DIA. 140°05	6-22-42
23/32 WAS 15/16	4-18-42
ADDED 1/16	5-11-42
ADDED NOTE	5-11-42

LET	CHANGES	DATE	C'NR	REF. NO.	LET	CHANGES	DATE	C'NR	REF. NO.
X	ADDED TO DRAWING	5-15-42			G	WAS .605			
W	1/16 ADDED	6-6-42			F	1/16 WAS 1			
V	1/32 WAS 1/16	5-14-42			E	ADDED HOLE			
U	1/12 WAS 1/16	5-14-42			D	ADDED SN			
T	PROJECTIONS ADDED	5-25-42			C	NOTES ADDED	5-11-42		
S	TRIM	5-22-42			B	ADDED S			
K	TRIM CHANGES				A	ADDED S			
D	REPLACED PROJECTIONS								
N	10°00 WAS 13/32								
M	2-1/32 REMOVED	5-21-42							
L	1/32 R CORRECTED	5-17-42							
K	WAS 1/8								
J	WAS 1/32								
H	WAS .250								

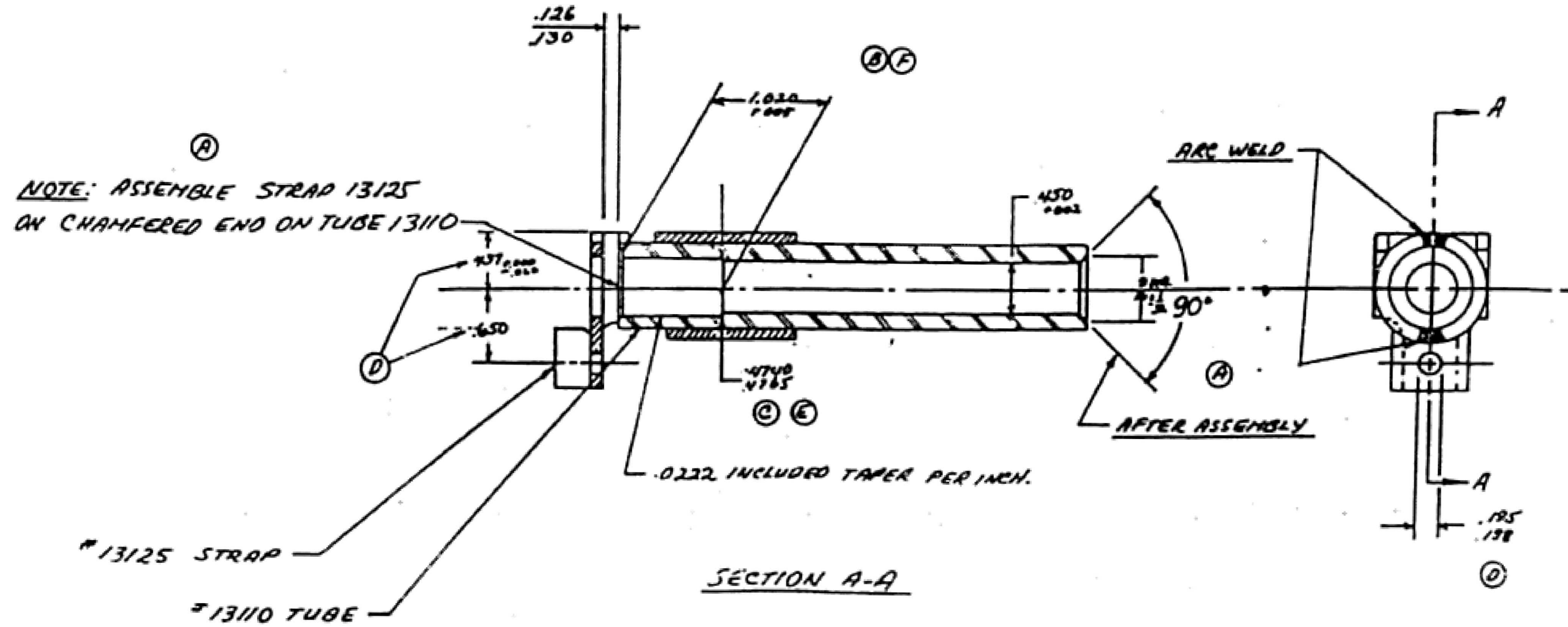
VARIATION ALLOWED: PLUS OR MINUS .010 ON FRACTIONAL AND PLUS OR MINUS .005 ON DECIMAL DIMENSIONS UNLESS OTHERWISE SPECIFIED

DO NOT SCALE

MAT'L	SPEC.	REL. NO.	DATE
FINISH	SPEC.	SCALE	
DRAWN BY	DATE STARTED	FURNISHED	CHECKED
	5-6-42		
NAME	SUB MACHINE GUN		DRAWING & PART NO.
			13108 13109

INLAND MANUFACTURING DIVISION

GENERAL MOTORS CORPORATION
DAYTON, OHIO



LET	CHANGES	DATE	ENR	REF. NO.	LET	CHANGES	DATE	ENR	REF. NO.
					E	.475 WAS .4756			
					D	O.M. ADDED	2-9-42		
					C	.720/.075 WAS .720/.075	6-25-42		
					B	.006 W/AC .005	6-25-42		
					A	NOTES ADDED	5-16-42		
					F	WAS .625 + .006	2-15-42		

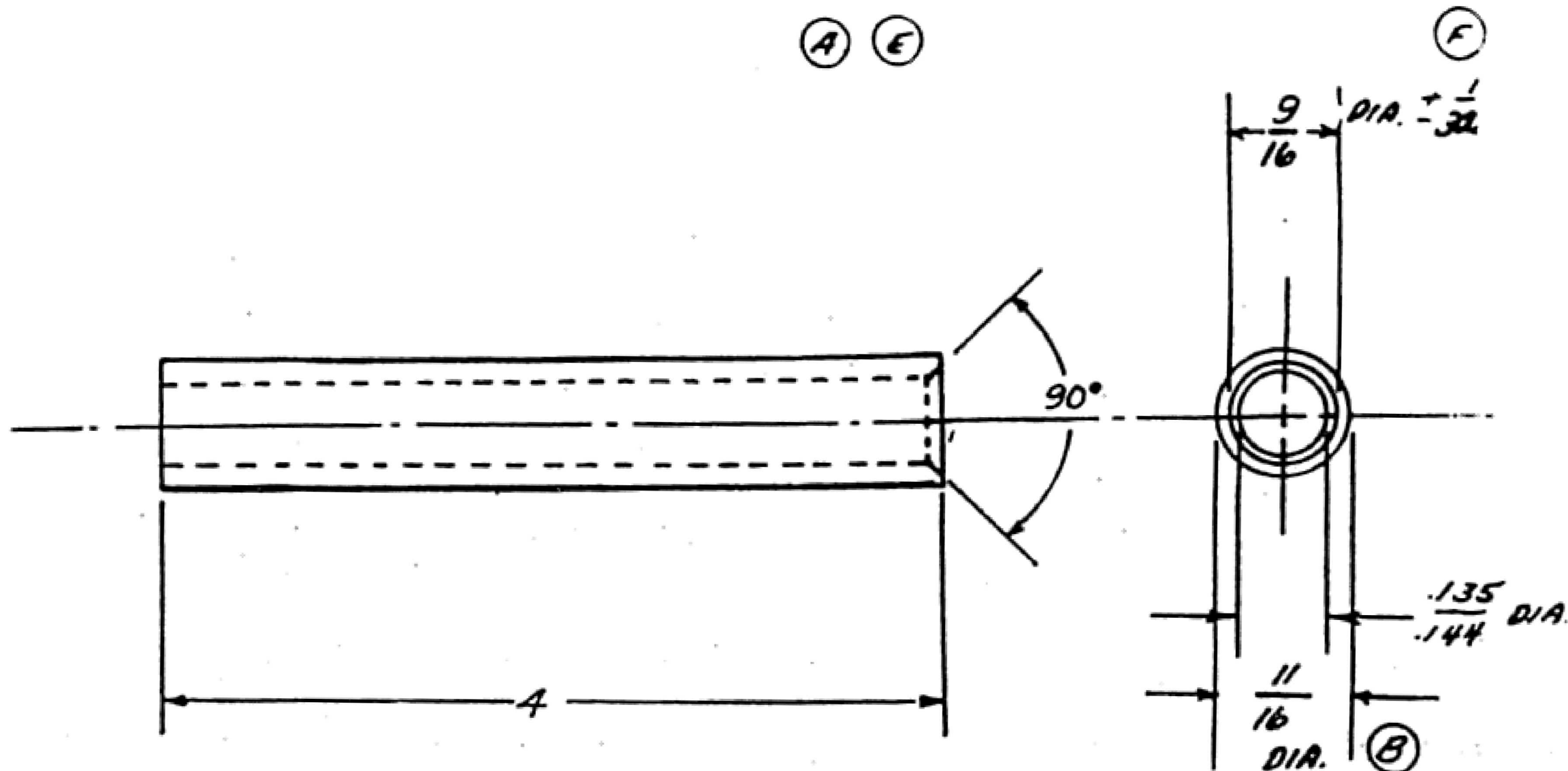
MAXIMUM ALLOWED PLUS OR MINUS .010 ON FRACTIONAL AND PLUS OR MINUS .002 ON DECIMAL DIMENSIONS UNLESS OTHERWISE SPECIFIED

DO NOT SCALE

MATL	C. R. S.	SPEC.	REL. NO.	DATE
FINISH		SPEC.	SCALE	
DRAWN BY	DATE ESTIMATED	FINISHED	CHECKED	DATE
HAMISCH	5-13-42			5-15-42
NAME	DRAWING & PART NO.			
TUBE & STRAP ASSEMBLY	13111			

INLAND MANUFACTURING DIVISION

GENERAL MOTORS CORPORATION
DAYTON, OHIO



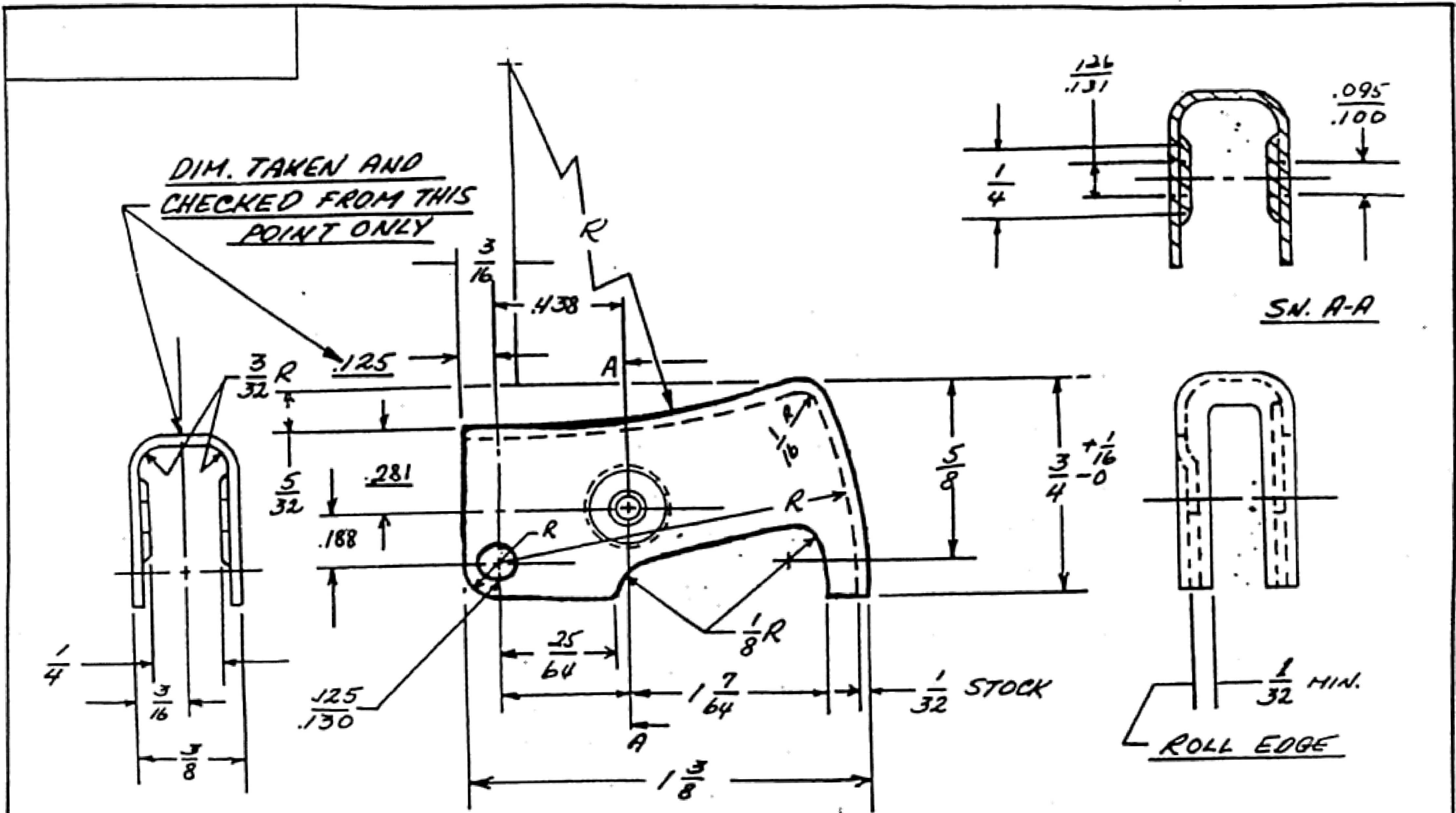
VARATION ALLOWED PLUS OR MINUS .010 ON FRACTIONAL AND PLUS OR MINUS .005 ON DECIMAL DIMENSIONS UNLESS OTHERWISE SPECIFIED

DO NOT SCALE

F	TOL. ADDED	5-27-42			MAT'L	C.R.S.	SPEC.	REL. NO.	DATE	5-24-42
E	NOTE REMOVED	5-27-42			FINISH	SEAMLESS	SPEC.	SCALE		
D	935/405 WAS 930/440	5-27-42			DRAWN BY		DATE STARTED	FINISHED	CHECKED	DATE
C	CHAMFER ADDED	5-25-42					5-2-42			APPROVED
B	920-430 WAS 419	5-21-42			NAME	TUBE				DRAWING & PART NO.
A	11/16 WAS 6.15-190	5-21-42								13110
LET	CHANGES	DATE	C'KR	REF. NO.						

INLAND MANUFACTURING DIVISION

GENERAL MOTORS CORPORATION
DAYTON, OHIO



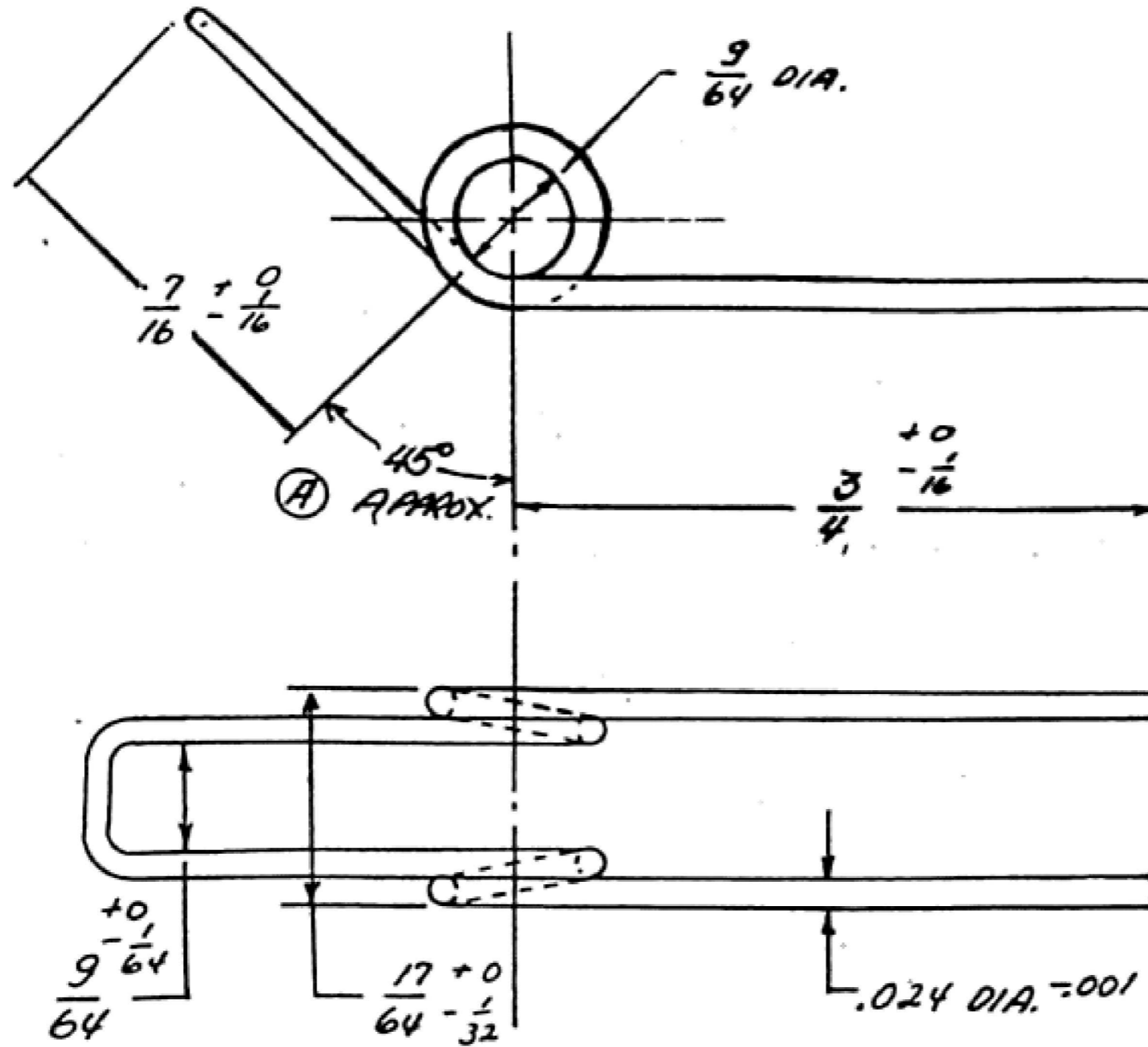
VARIAION ALLOWED PLUS OR MINUS .010 ON FRACTIONAL AND PLUS OR MINUS .005 ON DECIMAL DIMENSIONS UNLESS OTHERWISE SPECIFIED.

DO NOT SCALE

				MAT'L	C.R.S.	SPEC.	GM 1010	REL. NO.	DATE	5-13-42		
				FINISH		SPEC.		SCALE	DOUBLE			
				DRAWN BY	CREATED	DATE STARTED	5-1-42	FINISHED	CHECKED	DATE	APPROVED	DATE
				NAME	YOKE					DRAWING & PART NO.		
												13113
LET	CHANGES	DATE	C'KR	REF. NO.								
B	DIM. MOVED	5-13-42										
A	WAS .125-130											

INLAND MANUFACTURING DIVISION

GENERAL MOTORS CORPORATION
DAYTON, OHIO



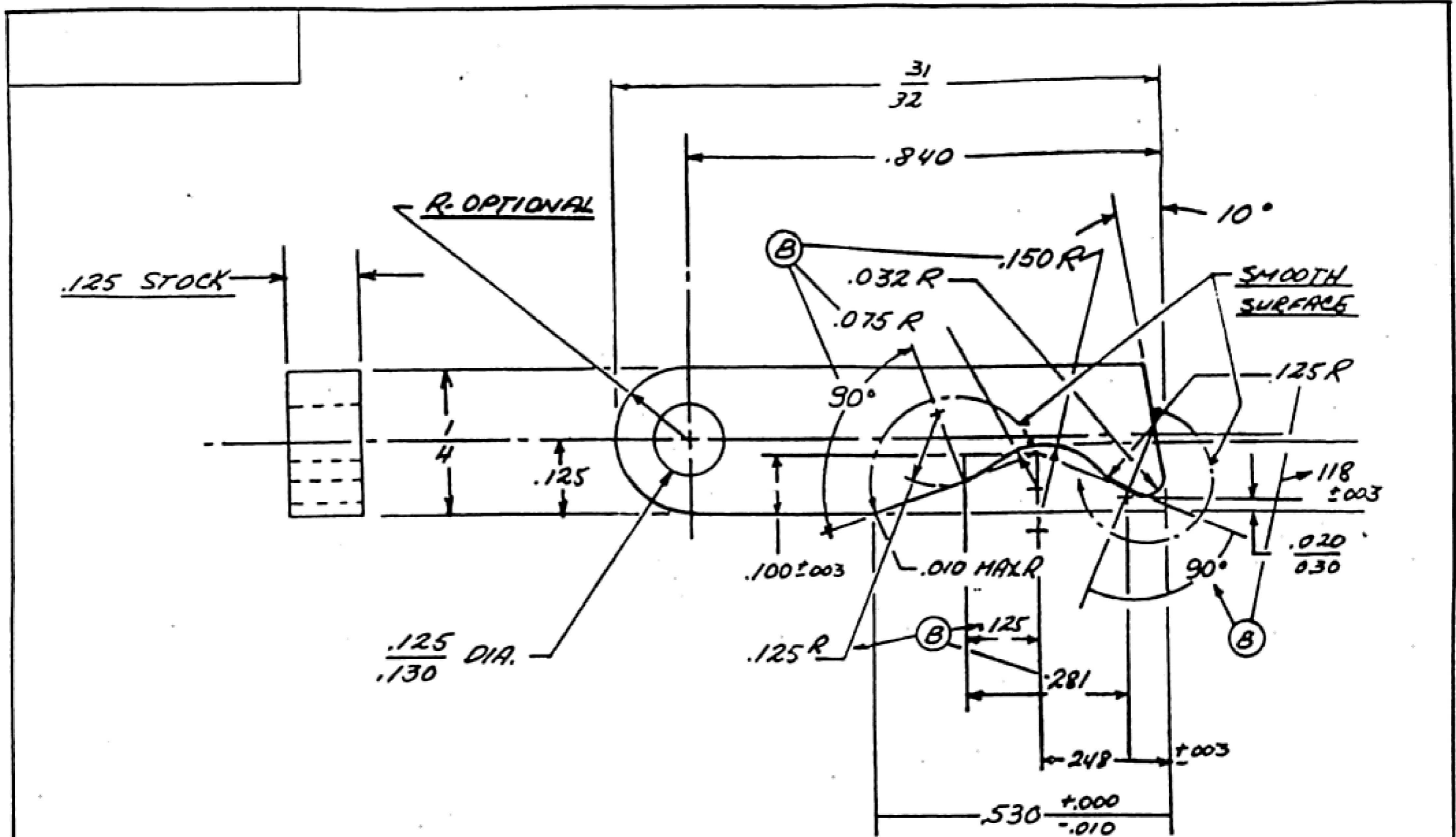
VARIAION ALLOWED PLUS OR MINUS .010 ON FRACTIONAL AND PLUS OR MINUS .005 ON DECIMAL DIMENSIONS UNLESS OTHERWISE SPECIFIED

DO NOT SCALE

					MAT'L	MUSIC WIRE	SPEC.	REL. NO.	DATE
					FINISH	STRESS RELIEVE	SPEC.	SCALE	4X SIZE
					DRAWN BY	Erwin	DATE STARTED	5-7-42	FINISHED
							CHECKED	DATE	APPROVED
									DATE
					NAME	YOKE SPRING			DRAWING & PART NO.
									13115
A	45° ADDED	5-13-42							
LET	CHANGES	DATE	C'KR	REF. NO.					

INLAND MANUFACTURING DIVISION

GENERAL MOTORS CORPORATION
DAYTON, OHIO



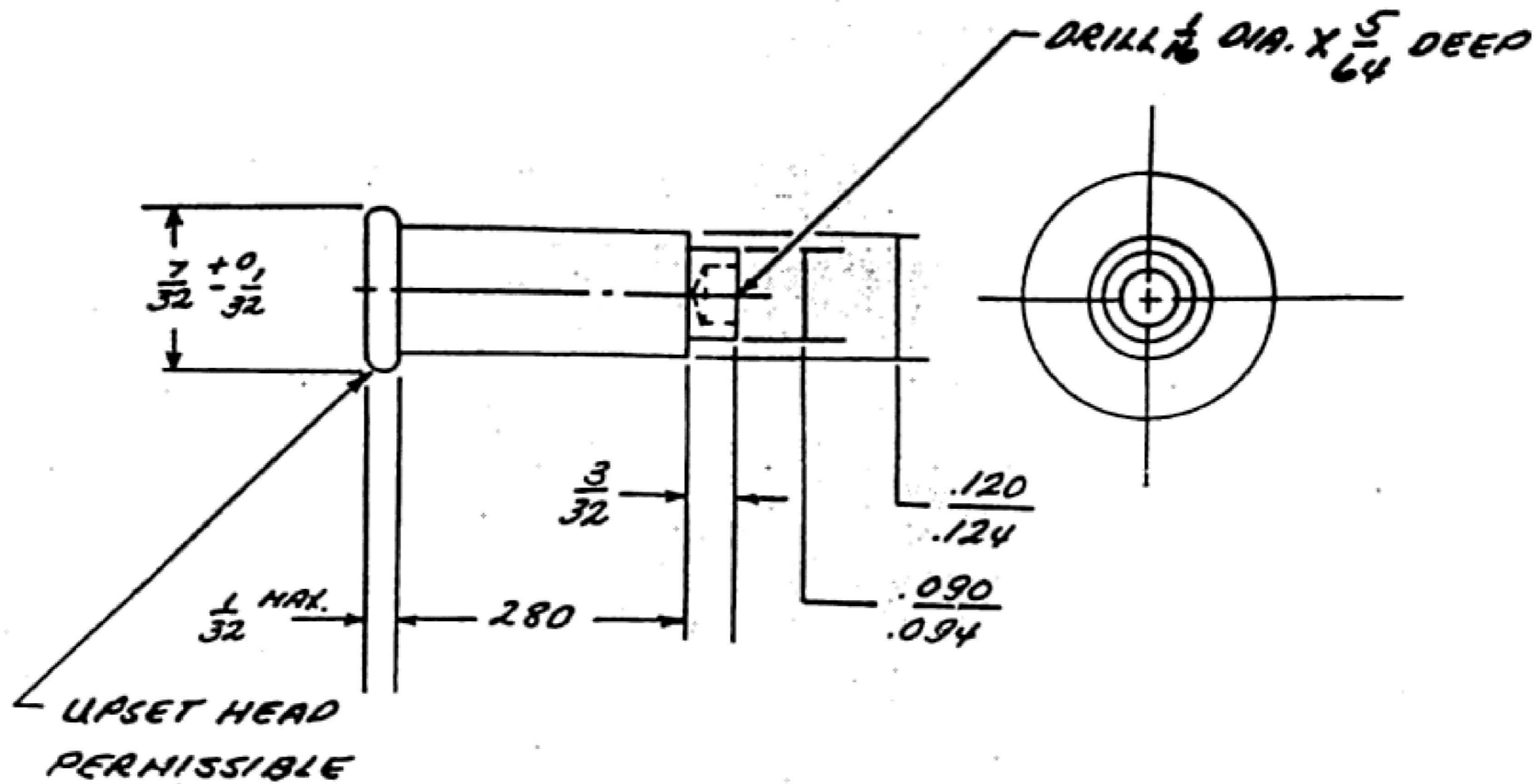
VARIAION ALLOWED PLUS OR MINUS .010 ON FRACTIONAL AND PLUS OR MINUS .005 ON DECIMAL DIMENSIONS UNLESS OTHERWISE SPECIFIED

DO NOT SCALE

				MAT'L	C.R.S.	SPEC.	GM 1010	REL. NO.	DATE	
				FINISH	CASE .004-008	SPEC.		SCALE	4X SIZE	
				DRAWN BY	Everitt	DATE STARTED	5-17-42	FINISHED	CHECKED	
				DATE		DATE		APPROVED	DATE	
				NAME	YOKE LEVER				DRAWING & PART NO.	
									13114	
LET	CHANGES	DATE	C'R	REF. NO.						
B	CAM REDESIGNED	7-9-42								
A	REDESIGNED	5-19-42	ALE							

INLAND MANUFACTURING DIVISION

GENERAL MOTORS CORPORATION
DAYTON, OHIO



VARATION ALLOWED PLUS OR MINUS .010 ON FRACTIONAL AND PLUS OR MINUS .005 ON DECIMAL DIMENSIONS UNLESS OTHERWISE SPECIFIED

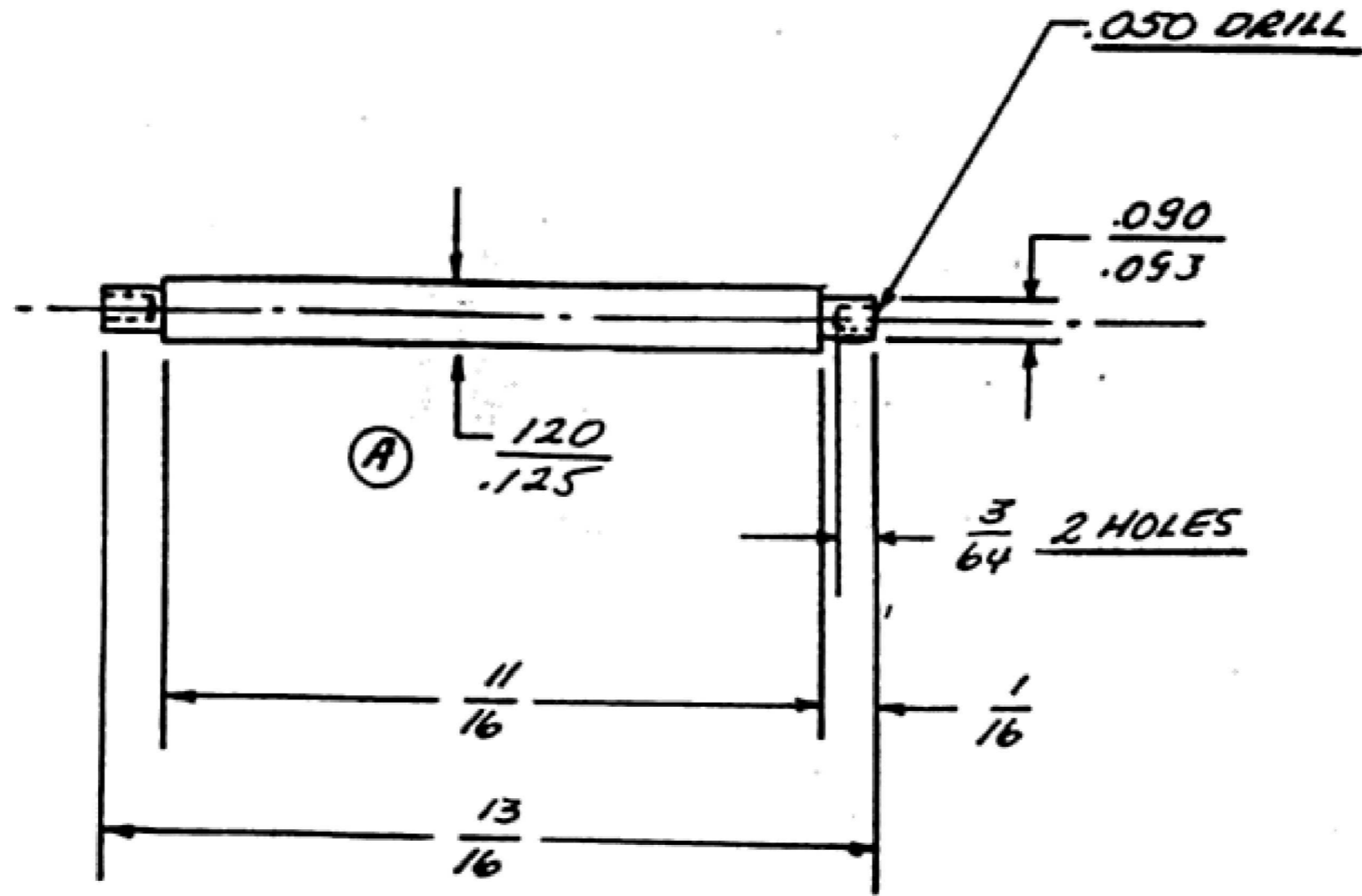
DO NOT SCALE

LET	CHANGES	DATE	C'R	REF.NO.
A	ADDED NOTE ON HEAD	5-15-42		

MAT'L	C.R.S	SPEC.	REL. NO.	DATE
FINISH		SPEC.	SCALE	5 X SIZE
DRAWN BY	EVERETT	DATE STARTED	5-2-42	DATE APPROVED
FINISHED		CHECKED		DATE
NAME			DRAWING & PART NO.	
SHOULDER RIVET			13116	

INLAND MANUFACTURING DIVISION

GENERAL MOTORS CORPORATION
DAYTON, OHIO



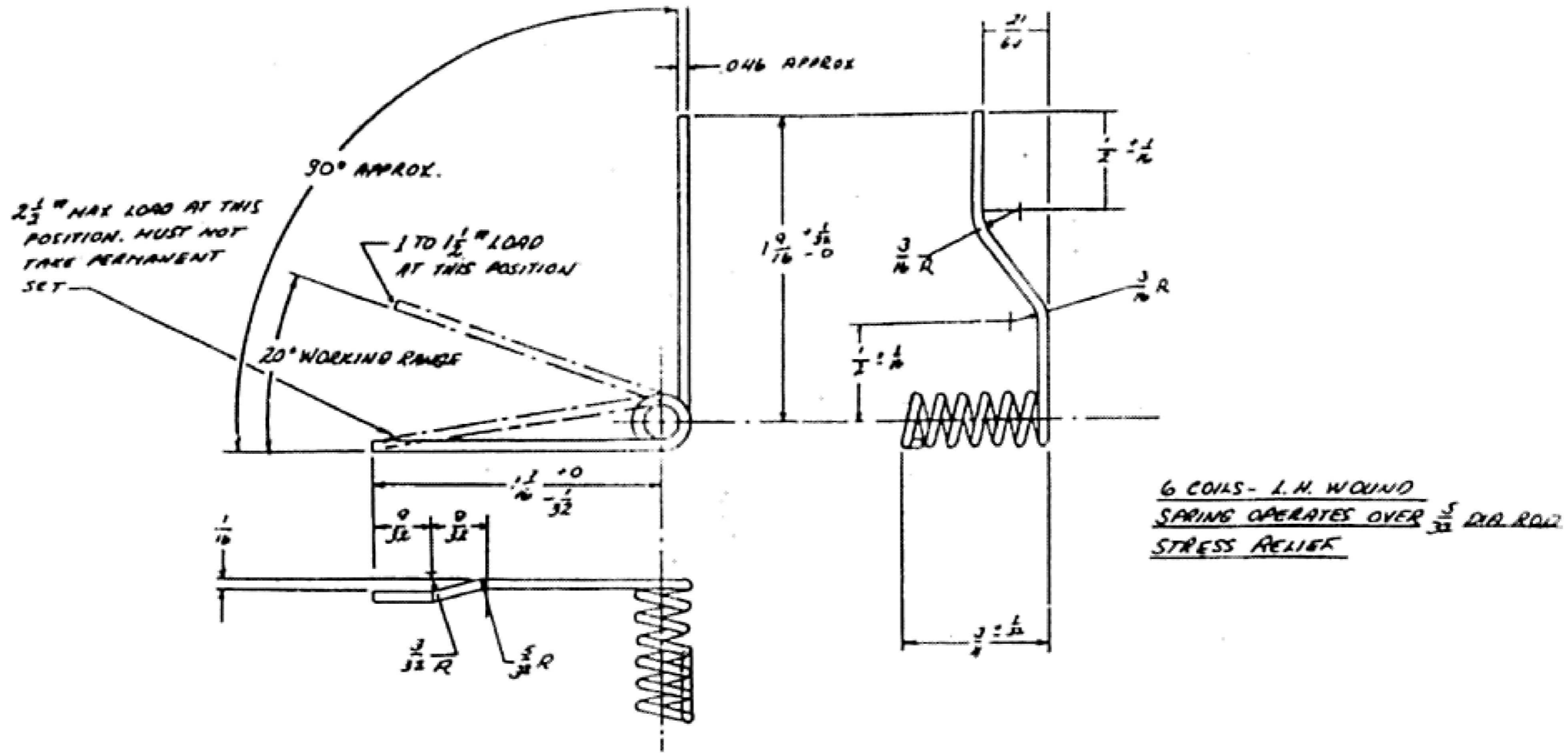
VARIAION ALLOWED PLUS OR MINUS .010 ON FRACTIONAL AND PLUS OR MINUS .003 ON DECIMAL DIMENSIONS UNLESS OTHERWISE SPECIFIED

DO NOT SCALE

					MAT'L	C.R.S.	SPEC.	REL. NO.	DATE	5-13-42
					FINISH		SPEC.	SCALE	4X SIZE	
					DRAWN BY	CRADIS	DATE STARTED	FINISHED	CHECKED	DATE
										APPROVED
										DATE
										5-15-42
					NAME	RIVET YOKE				DRAWING & PART NO.
										13117
A	STOCK DIA.	5-15-42								
LET	CHANGES	DATE	C'R	REF. NO.						

INLAND MANUFACTURING DIVISION

GENERAL MOTORS CORPORATION
DAYTON, OHIO



VARIOUS ALLOWED PLUS OR MINUS .010 ON FRACTIONAL AND PLUS OR MINUS .005 ON DECIMAL DIMENSIONS UNLESS OTHERWISE SPECIFIED.

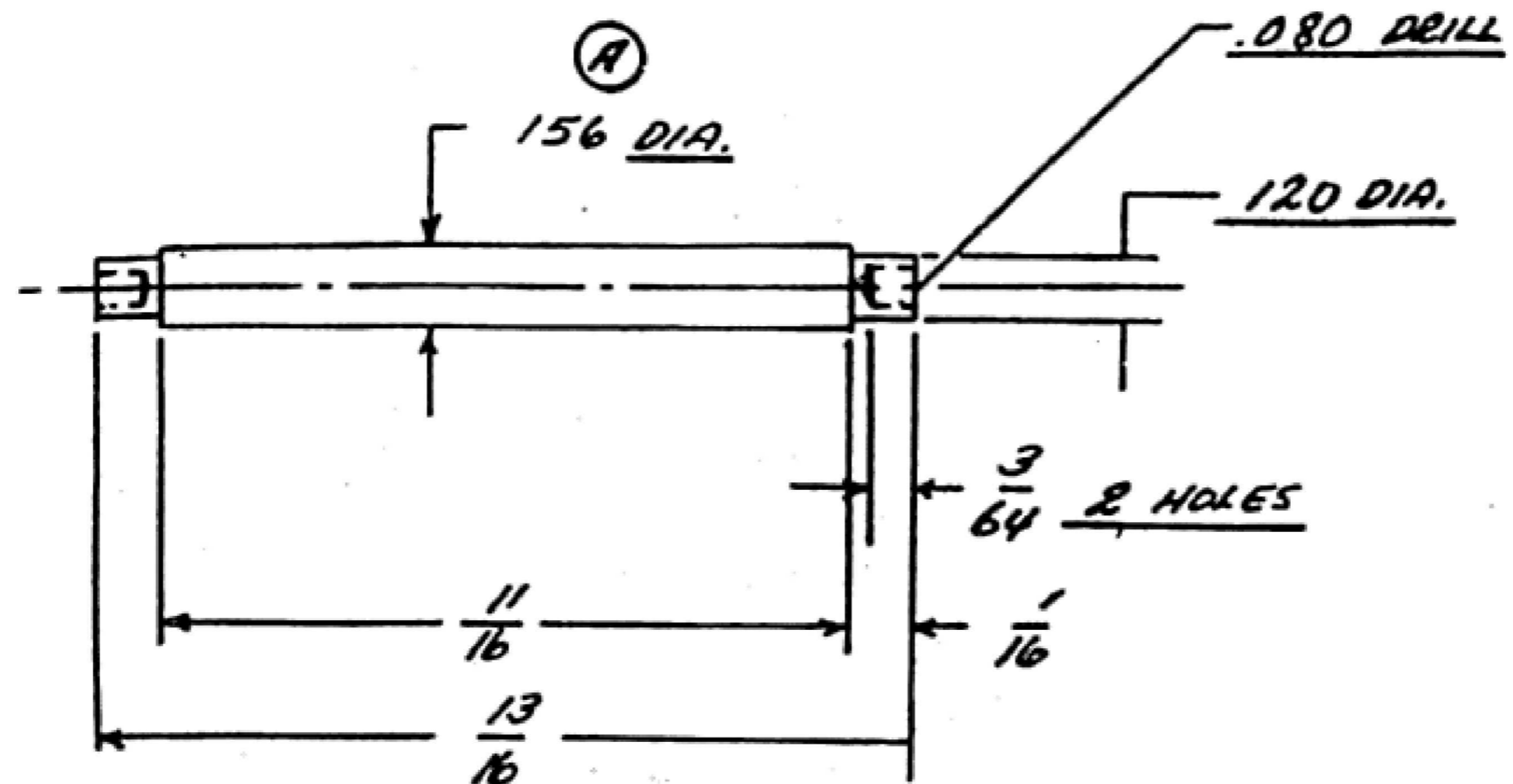
DO NOT SCALE

LET	CHANGES	DATE	C&R	REF. NO.	LET	CHANGES	DATE	C&R	REF. NO.

MAT'L	MUSIC WIRE	SPEC.	REL. NO.	DATE
FINISH	STRESS RELIEF	SPEC.	SCALE	4X SIZE
DRAWN BY	HAMISCH	DATE STARTED	FINISHED	CHECKED
		5-2-42	7-9-42	
NAME	LOCK SPRING			DRAWING & PART NO.
				13119

INLAND MANUFACTURING DIVISION

GENERAL MOTORS CORPORATION
DAYTON, OHIO



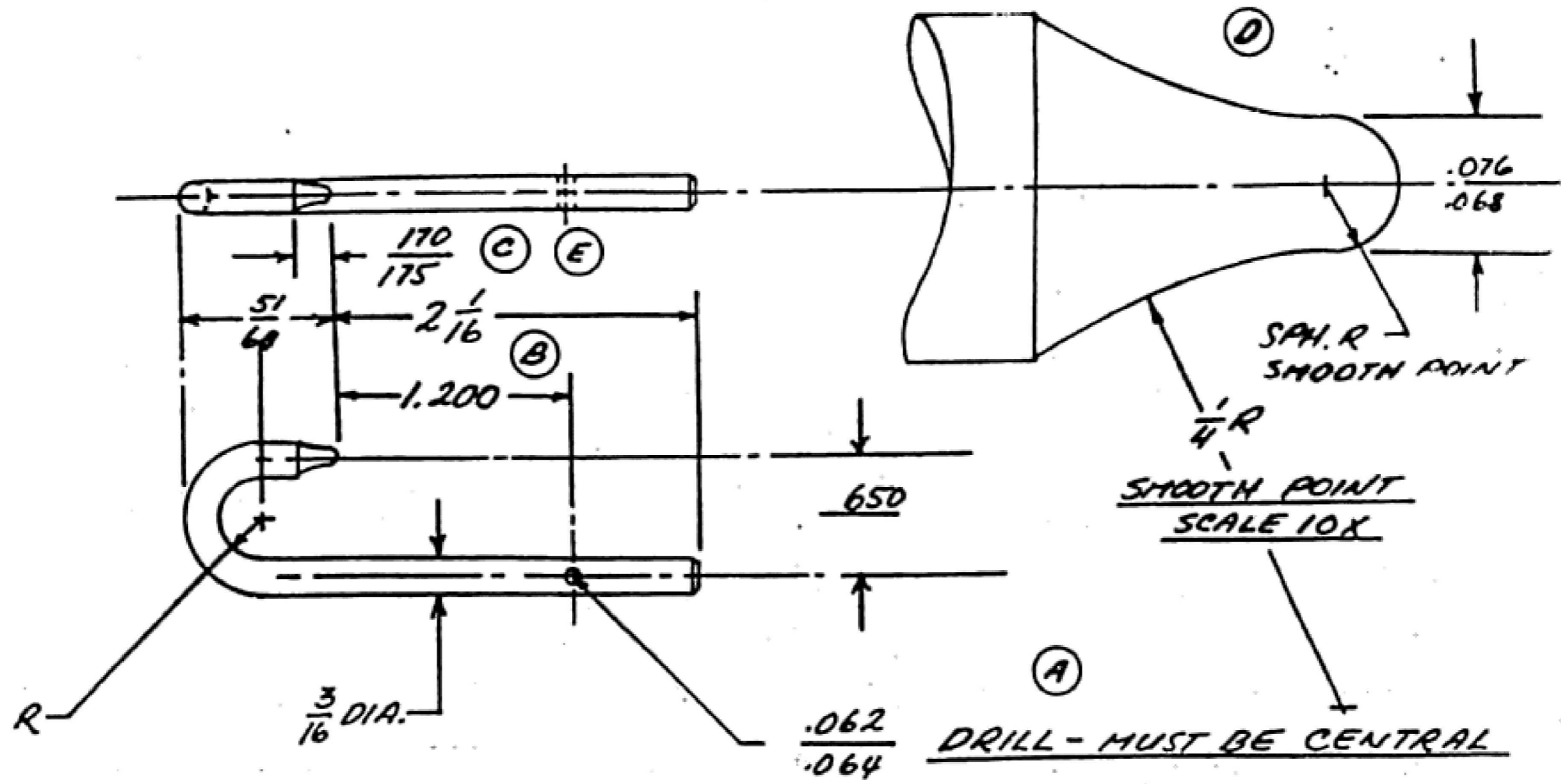
VARATION ALLOWED PLUS OR MINUS .010 ON FRACTIONAL AND PLUS OR MINUS .005 ON DECIMAL DIMENSIONS UNLESS OTHERWISE SPECIFIED

DO NOT SCALE

				MAT'L	C.R.S.	SPEC.	REL. NO.	DATE	5-13-42	
				FINISH		SPEC.	SCALE	4X SIZE		
				DRAWN BY	Everitt	DATE STARTED	5-9-42	FUNISHED	CHECKED	
				DATE		APPROVED		DATE	5-13-42	
				NAME	RIVET. LOCK				DRAWING & PART NO.	13118
A	.156 WAS .165									
LET	CHANGES	DATE	C'R	REF. NO.						

INLAND MANUFACTURING DIVISION

GENERAL MOTORS CORPORATION
DAYTON, OHIO



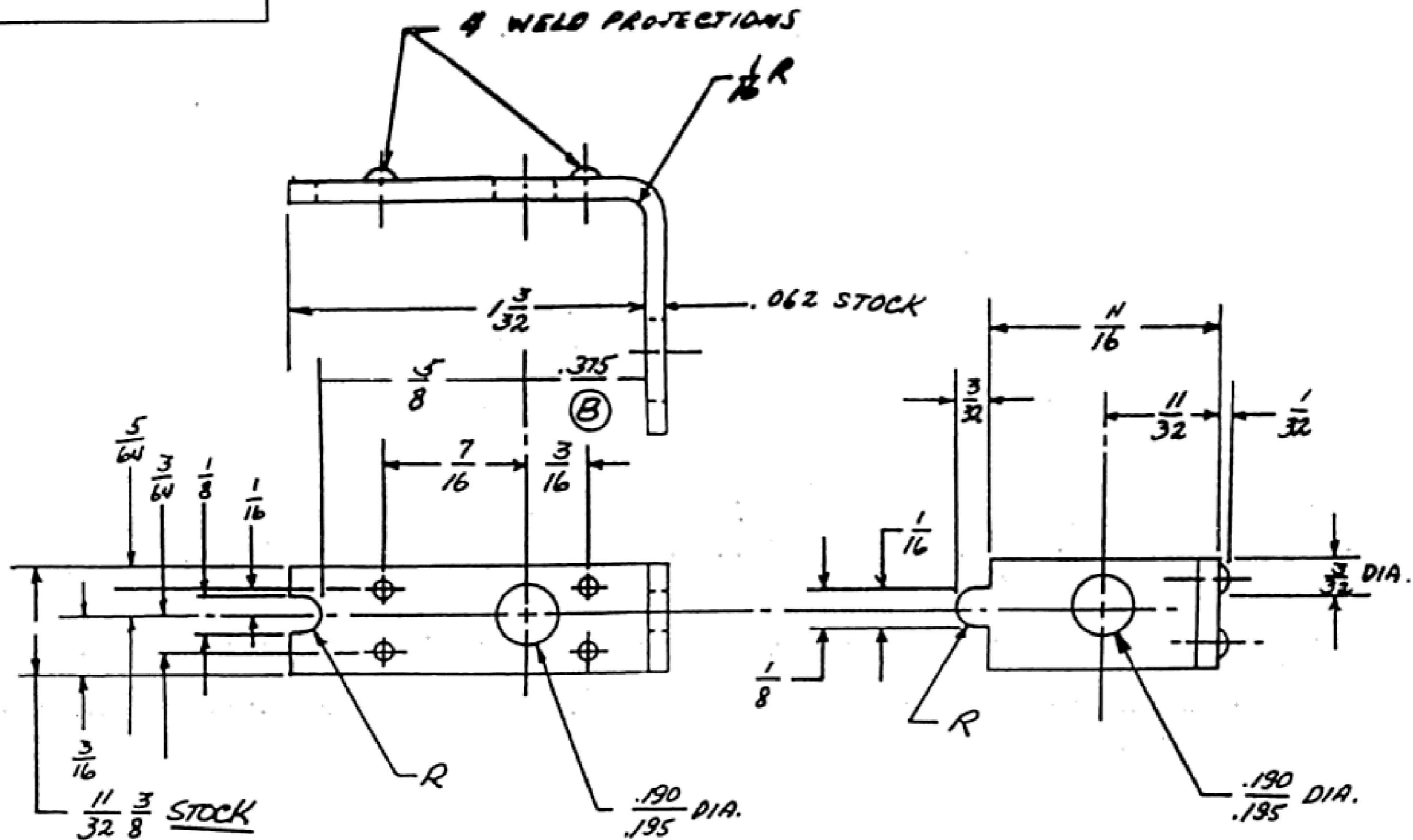
VARATION ALLOWED PLUS OR MINUS .010 ON FRACTIONAL AND PLUS OR MINUS .005 ON DECIMAL DIMENSIONS UNLESS OTHERWISE SPECIFIED

DO NOT SCALE

F	.002-.006 WAS .004-.008	6-1-42			MAT'L	COLD DRAWN WIRE	SPEC.	0101 OR EQUIV	REL. NO.	DATE	5-13-42			
E	76/75 WAS .210	6-1-42			FINISH	CYANIDE .002-.006 DEEP	SPEC.		SCALE	FULL				
D	NOSE REVISED	5-21-42			DRAWN BY	<i>Ernest</i>	DATE STARTED	5-5-42	FINISHED	CHECKED	DATE	APPROVED	DATE	5-15-42
C	.210 WAS .190	5-20-42			NAME							DRAWING & PART NO.		
B	1.200 WAS 1.250	5-20-42			CONTROL ROD							13120		
A	ADDED CENTRAL	5-15-42												
LET	CHANGES	DATE	C'R	REF. NO.										

INLAND MANUFACTURING DIVISION

GENERAL MOTORS CORPORATION
DAYTON, OHIO



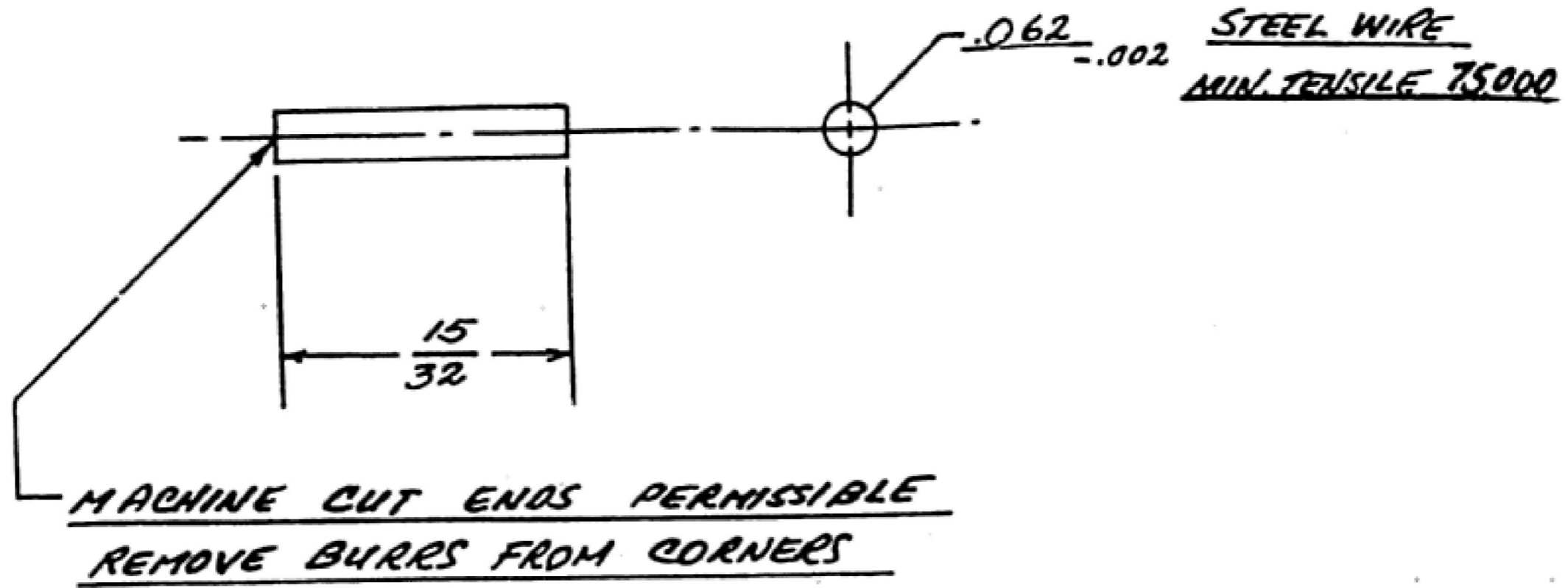
VARATION ALLOWED PLUS OR MINUS .010 ON FRACTIONAL AND PLUS OR MINUS .003 ON DECIMAL DIMENSIONS UNLESS OTHERWISE SPECIFIED

DO NOT SCALE

				MAT'L	C.R.S. HALF HARD	SPEC.	GM 1010	REL. NO.	DATE	5-18-42			
				FINISH		SPEC.		SCALE	DOUBLE				
				DRAWN BY	HAMISCH	DATE STARTED	5-18-42	FINISHED	5-18-42	CHECKED	DATE	APPROVED	DATE
				NAME	ROD-GUIDE BRACKET					DRAWING & PART NO.			
									13121				
LET	CHANGES	DATE	C'R	REF. NO.									
A	.375 ADDED	5-21-42											
	REDESIGNED $\frac{1}{16}$ STOCK	5-18-42											

INLAND MANUFACTURING DIVISION

GENERAL MOTORS CORPORATION
DAYTON, OHIO



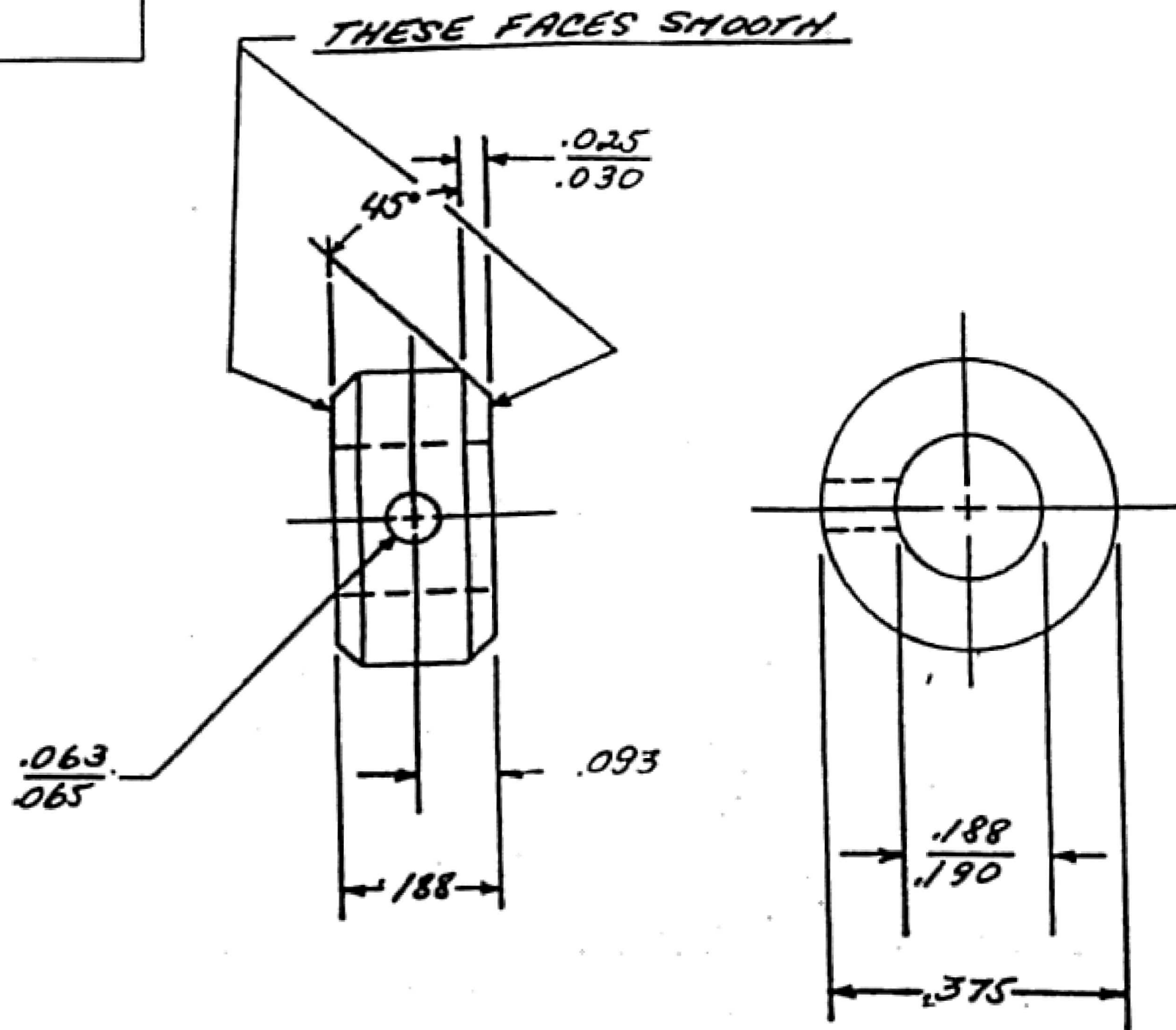
VARATION ALLOWED PLUS OR MINUS .010 ON FRACTIONAL AND PLUS OR MINUS .005 ON DECIMAL DIMENSIONS UNLESS OTHERWISE SPECIFIED

DO NOT SCALE

					MAT'L	AS NOTED	SPEC.	REL. NO.	DATE
					FINISH		SPEC.	SCALE	4X SIZE
					DRAWN BY	Erwin	DATE STARTED	5-2-42	FISHED
							CHECKED	DATE	APPROVED
									DATE
					NAME	COLLAR PIN			DRAWING & PART NO.
									13123
LET	CHANGES	DATE	C'KR	REF. NO.					

INLAND MANUFACTURING DIVISION

GENERAL MOTORS CORPORATION
DAYTON, OHIO



(A) COMMERCIAL SCREW MACHINE STOCK

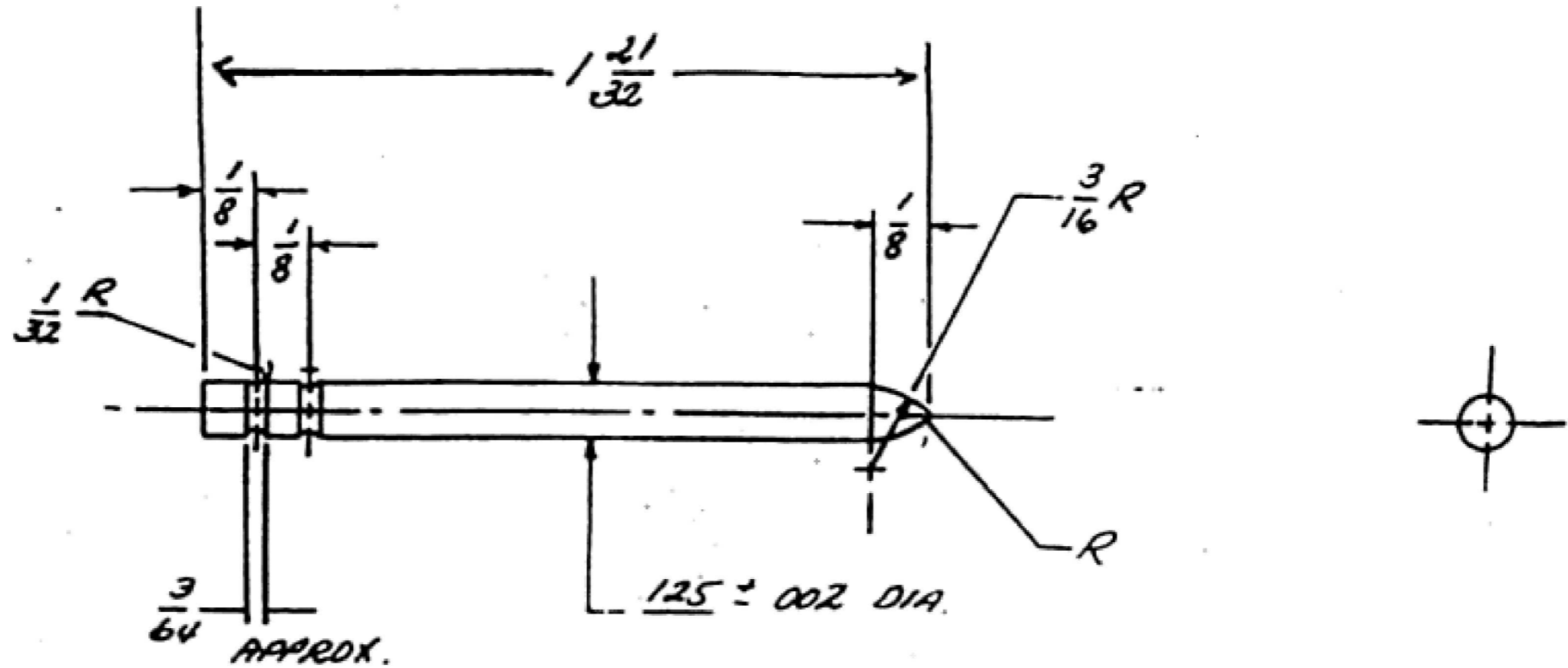
VARATION ALLOWED PLUS OR MINUS .010 ON FRACTIONAL AND PLUS OR MINUS .005 ON DECIMAL DIMENSIONS UNLESS OTHERWISE SPECIFIED

DO NOT SCALE

					MAT'L C.R.S.	SPEC. SEE ABOVE	REL. NO.	DATE 5-15-42
					FINISH CYANIDE .004-.008	SPEC.	SCALE AX SIZE	
					DRAWN BY E. J. Smith	DATE STARTED 5-2-42	FINISHED	CHECKED
							DATE	APPROVED
								DATE 5-15-42
					NAME COLLAR	DRAWING & PART NO. 13122		
LET	CHANGES	DATE	C'R	REF. NO.				

INLAND MANUFACTURING DIVISION

GENERAL MOTORS CORPORATION
DAYTON, OHIO



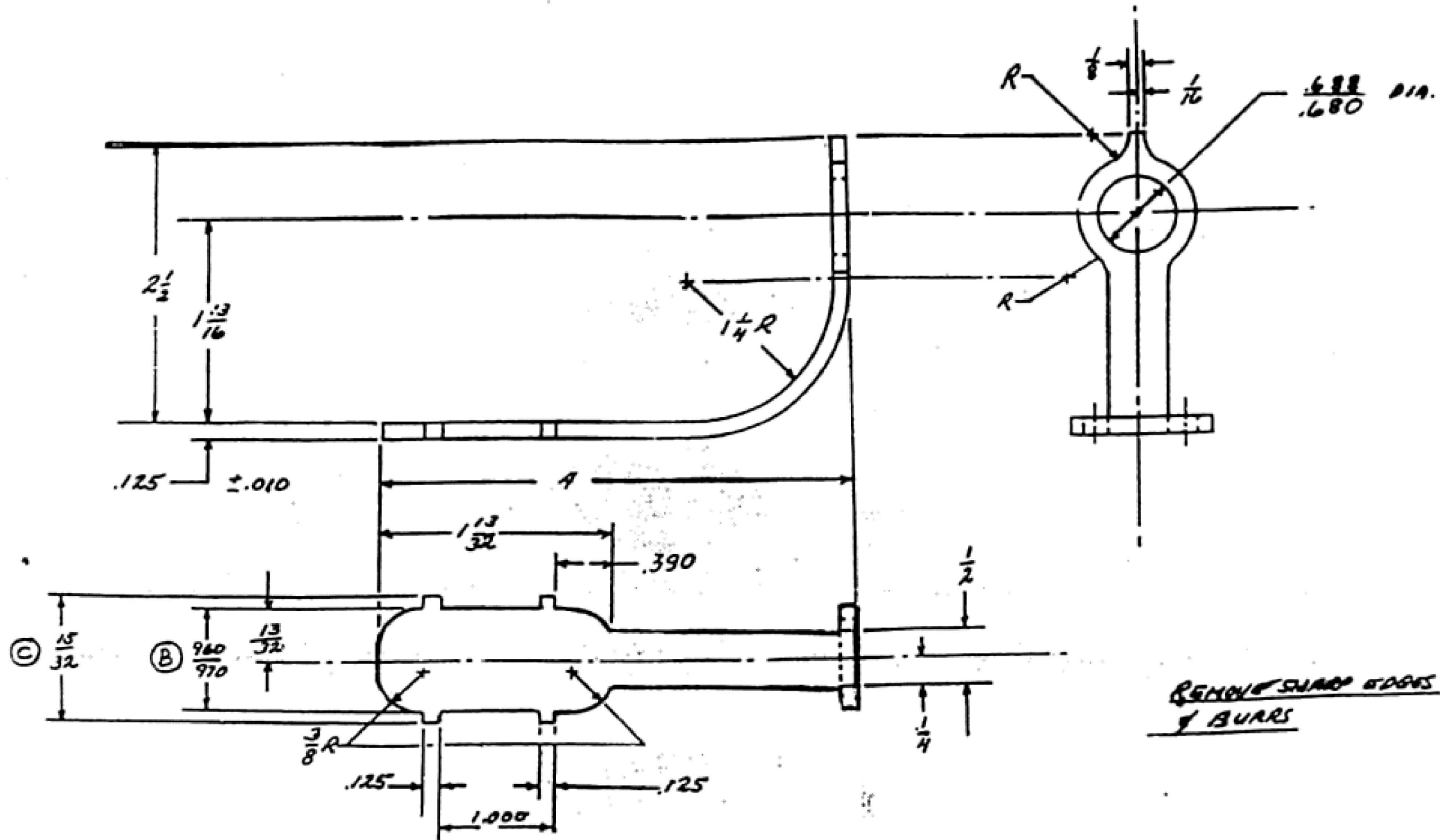
VARATION ALLOWED PLUS OR MINUS .010 ON FRACTIONAL AND PLUS OR MINUS .005 ON DECIMAL DIMENSIONS UNLESS OTHERWISE SPECIFIED

DO NOT SCALE

					MAT'L	C.R.S	SPEC.	REL. NO.	DATE
					FINISH		SPEC.	SCALE	2X SIZE
					DRAWN BY	DATE STARTED	FINISHED	CHECKED	DATE
					HAMISCH				
					NAME	GUIDE PIN			DRAWING & PART NO.
									13124-1
LET	CHANGES	DATE	C'KR	REF. NO.					

INLAND MANUFACTURING DIVISION

GENERAL MOTORS CORPORATION
DAYTON, OHIO



VARIATION ALLOWED PLUS OR MINUS .001 ON FRACTIONAL AND PLUS OR MINUS .002 ON DECIMAL DIMENSIONS UNLESS OTHERWISE SPECIFIED

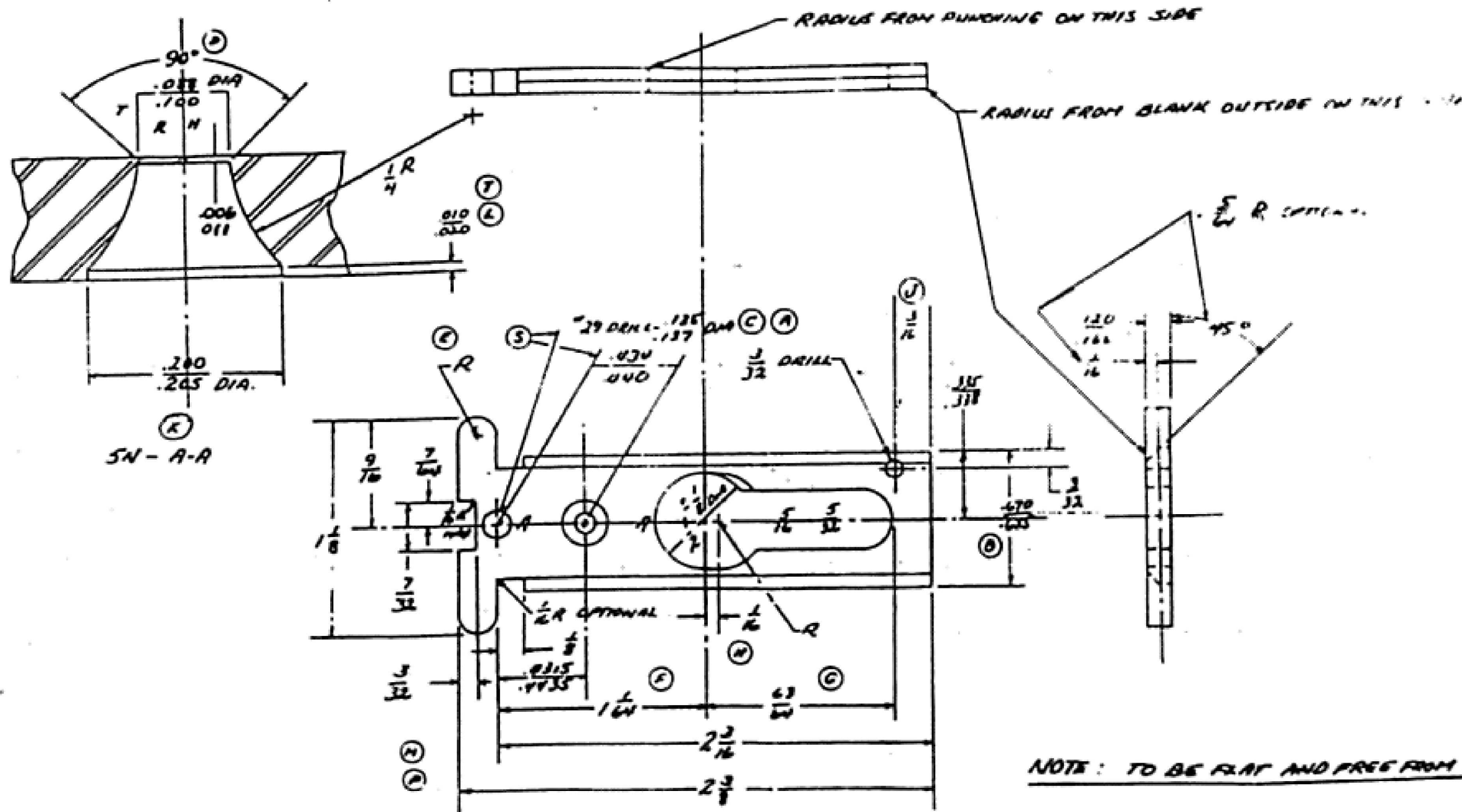
DO NOT SCALE

LET	CHANGES	DATE	C&R	REF. NO.	LET	CHANGES	DATE	C&R	REF. NO.
					C	15/16 WAS 7/8			
					B	9/60/970 WAS 15/16			
					A	TABS ADDED			

MATL	C.R.S.	SPEC.	GM 1010	REL. NO.	DATE
FINISH		SPEC.		SCALE	FULL
DRAWN BY	Erenub	DATE STARTED	5-5-42	FINISHED	CHECKED
DATE		DATE		APPROVED	DATE
					5-5-42
NAME				DRAWING & PART NO.	
SPANNER				13126	

INLAND MANUFACTURING DIVISION

GENERAL MOTORS CORPORATION
DAYTON, OHIO



NOTE: TO BE FLAT AND FREE FROM BURRS

T	.015 WAS .012				
S	HOLE ADDED				
R	.086/.095 WAS .094				
Q	.006-.011 WAS .015				
P	437/435 WAS .437				
O	.015 X 42° - DIMENSION ADDED 6-15-42				
N	WAS .086-.094 AT SURFACE 6-15-42				
M	WAS 7/16				
L	.010/.015 ADDED				
K	HOLE REVISED				
J	3/16 WAS 7/32				
H	7/16 ADDED				

G	5/16 WAS 3/32				
F	1 1/16 WAS 1 1/32				
E	.R ADDED				
D	ADDED TO L. TR/D. HOLE	5-15-42			
C	3/32 WAS 1/16	6-15-42			
B	.170 WAS .180	6-15-42			
A	1/16 HOLE ADDED	6-15-42			

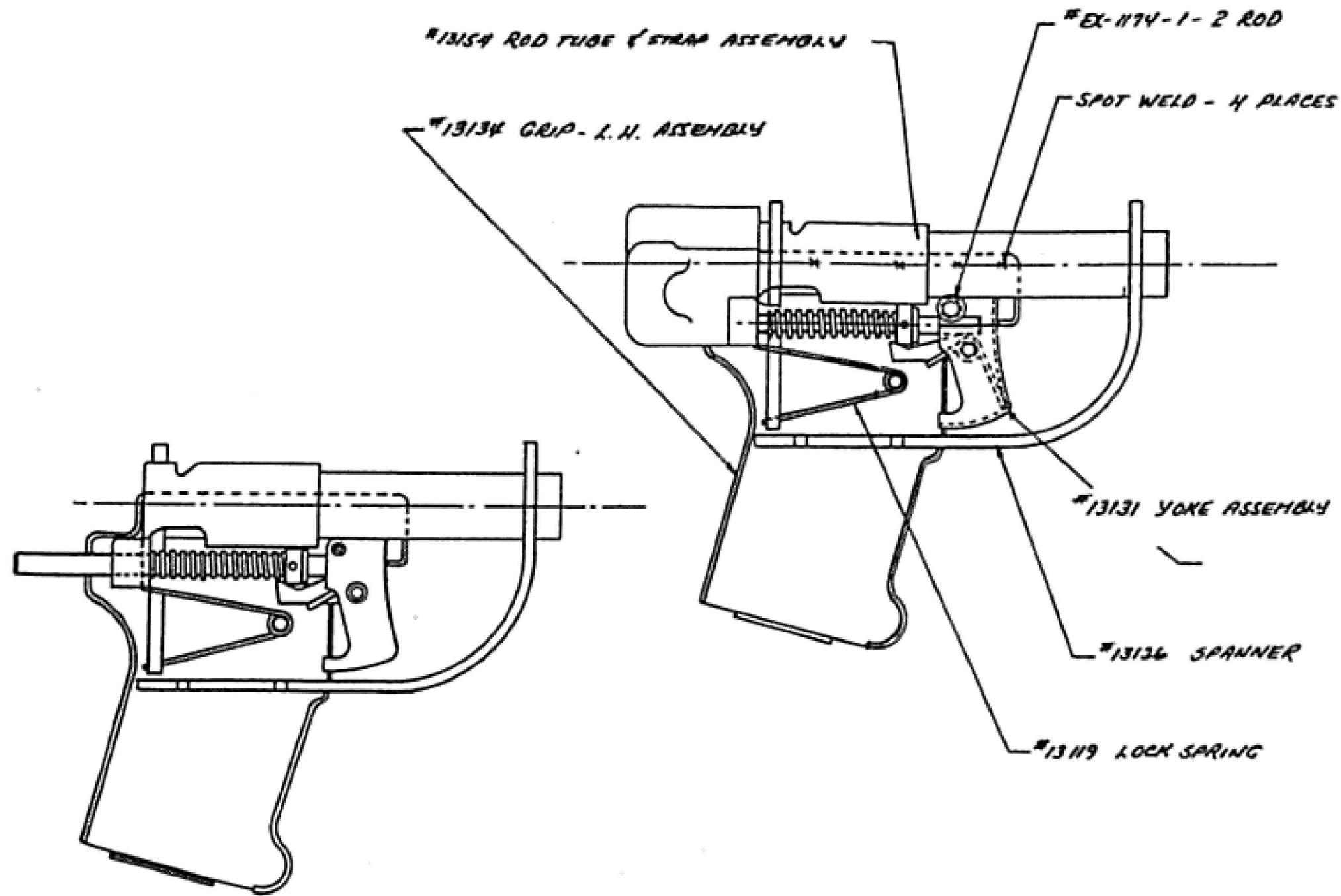
MATERIAL C.R.S. HALF HARD				SPEC. G-M 1010		REL. NO. 15-15-42		DATE 5-15-42	
FINISH				SPEC.		SCALE DOUBLE			
DESIGNED BY	DATE ESTIMATED	FURNISHED	CHECKED	DATE	APPROVED	DATE			
Evans	5-7-42					5-15-42			
NAME COVER-SLIDE						DRAWING & PART NO. 13127			

VARIATION ALLOWED PLUS OR MINUS .010 ON FRACTIONAL AND PLUS OR MINUS .005 ON DECIMAL DIMENSIONS UNLESS OTHERWISE SPECIFIED

DO NOT SCALE

INLAND MANUFACTURING DIVISION

GENERAL MOTORS CORPORATION
DAYTON, OHIO



OPTIONAL CONSTRUCTION
SAME AS ABOVE EXCEPT OPTIONAL ROD TUBE & STRAP ASSY.

UNLESS ALLOWED PLUS OR MINUS .010 OR FRACTIONAL AND PLUS OR MINUS .005
ON SPECIAL ORDERING UNLESS OTHERWISE SPECIFIED

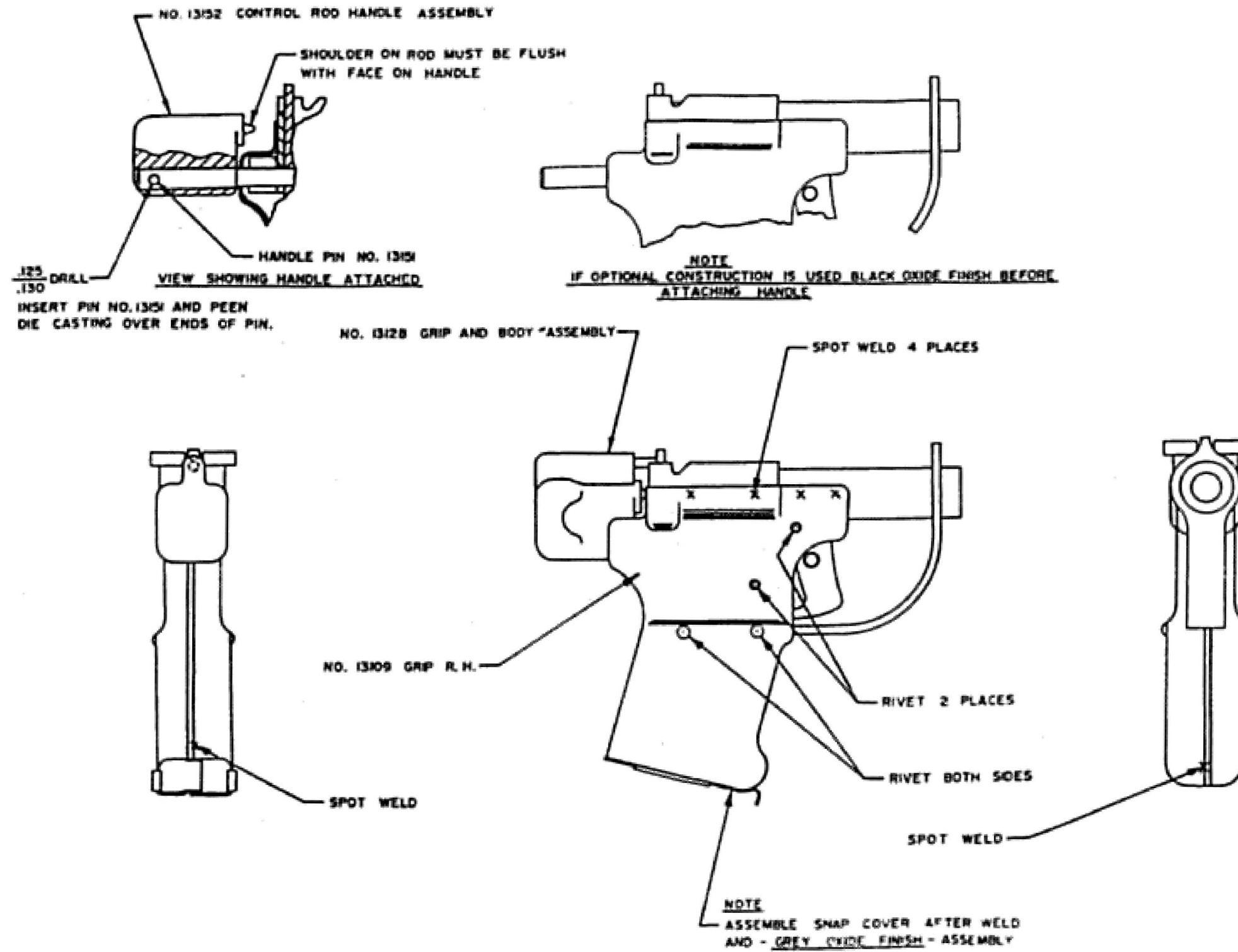
DO NOT SCALE

LET	CHANGES	DATE	C'YR	REF. NO.	LET	CHANGES	DATE	C'YR	REF. NO.

MAT'L	SPEC.	REL. NO.	DATE
			5-15-42
FINISH	SPEC.	SCALE	FULL
DRAWN BY	DATE STARTED	FINISHED	CHECKED
HAMISCH	5-13-42		
DATE	APPROVED	DATE	
		5-15-42	
NAME			DRAWING & PART NO.
GRIP AND BODY ASSEMBLY			13128

INLAND MANUFACTURING DIVISION

GENERAL MOTORS CORPORATION
DAYTON, OHIO



MAXIMUM ALLOWED PLUS OR MINUS .004 ON FRACTIONAL AND PLUS OR MINUS .005 ON DECIMAL DIMENSIONS UNLESS OTHERWISE SPECIFIED

DO NOT SCALE

LT	CHANGES	DATE	CAV	REV. NO.	LT	CHANGES	DATE	CAV	REV. NO.

MAT'L	SPEC.	REL. NO.	DATE
FINISH	SPEC.	SCALE	
DRAWN BY HAMISCH	DATE STARTED 5-13-42	FINISHED	CHECKED
DATE	APPROVED	DATE	
NAME BODY ASSEMBLY		DRAWING & PART NO. 13130	

INLAND MANUFACTURING DIVISION

GENERAL MOTORS CORPORATION
DAYTON, OHIO

NO. 13124 CONTROL ROD ASSEMBLY

NO. 13122 COLLAR

NO. 13123 COLLAR PIN

— PEEN OVER BOTH ENDS OF PIN —

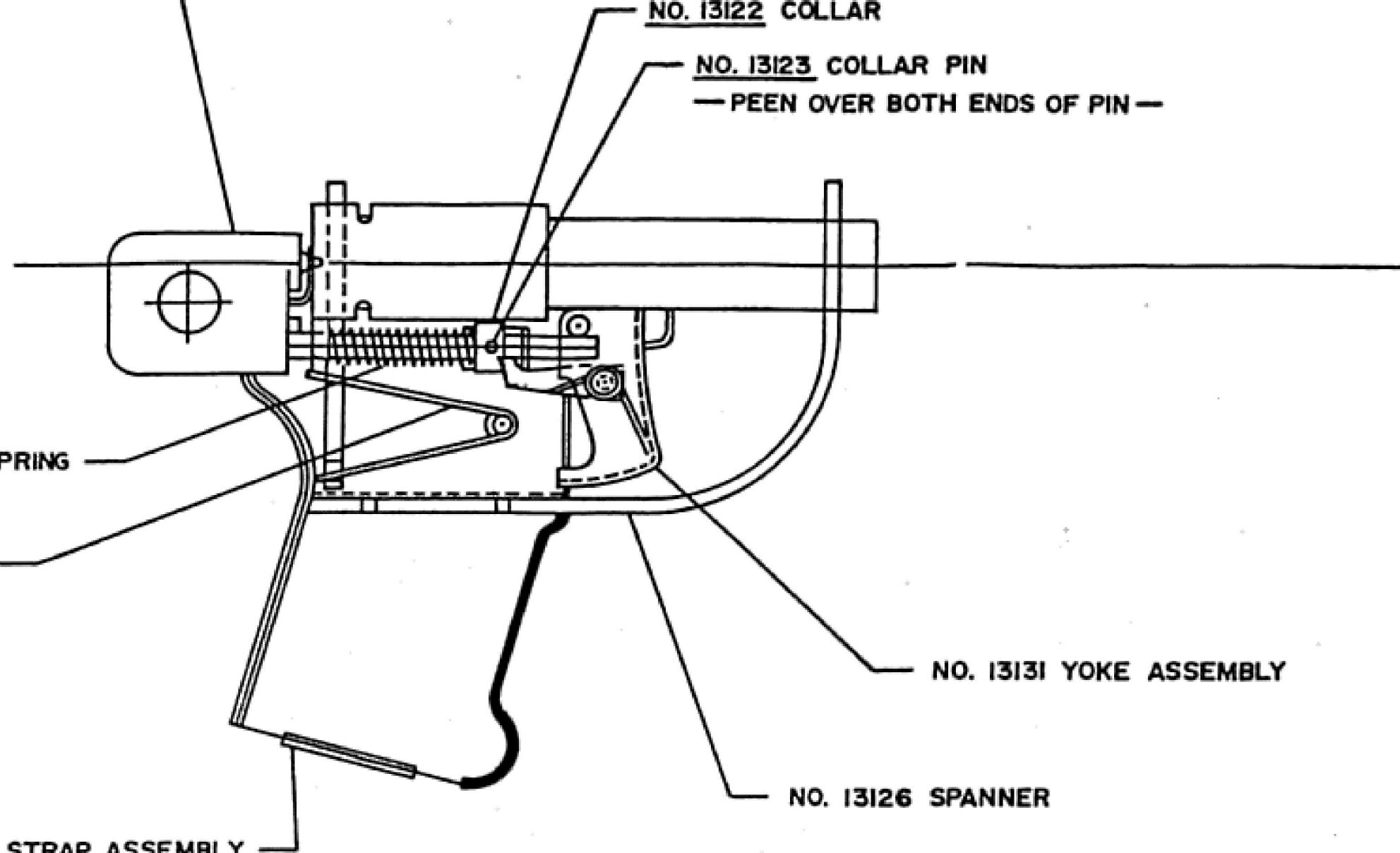
NO. 13132 CONTROL ROD SPRING

NO. 13119 LOCK SPRING

NO. 13131 YOKE ASSEMBLY

NO. 13126 SPANNER

NO. 13128 GRIP, TUBE AND STRAP ASSEMBLY



UNLESS ALLOWED PLUS OR MINUS .010 OR FRACTIONAL AND PLUS OR MINUS .005
OR OTHER TOLERANCE UNLESS OTHERWISE SPECIFIED

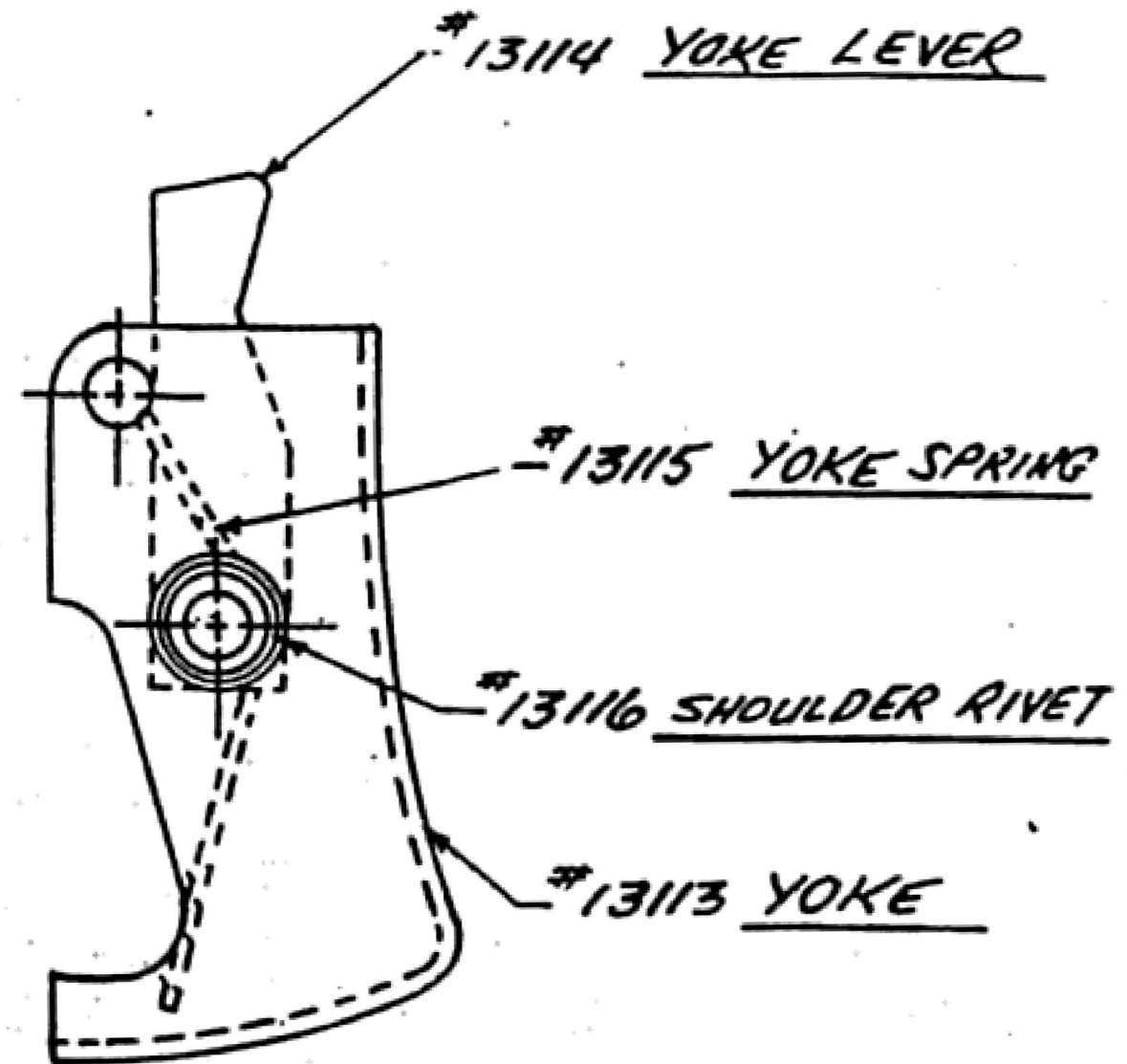
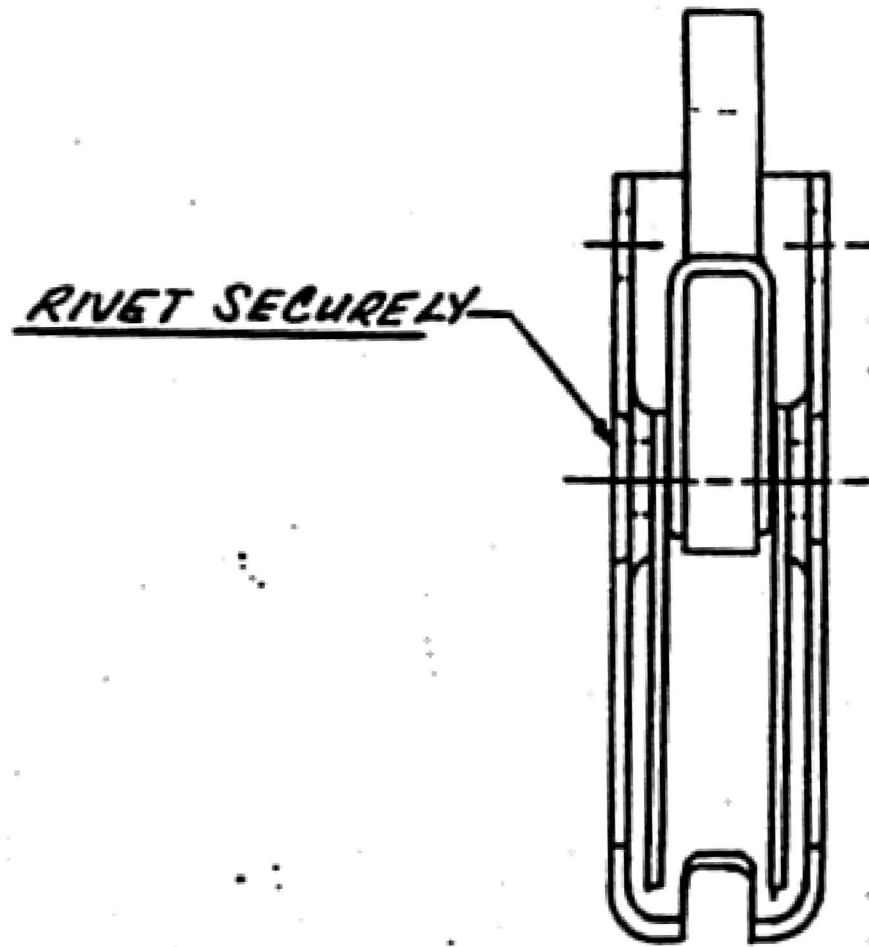
DO NOT SCALE

REV.	CHANGES	DATE	C'YR	REF. NO.	REV.	CHANGES	DATE	C'YR	REF. NO.

MATL	SPEC.	REL. NO.	DATE
FINISH	SPEC.	SCALE	5-15-42
DRAWN BY HAMISCH	DATE STARTED 5-13-42	FINISHED	CHECKED
DATE	APPROVED	DATE	5-15-42
NAME BODY AND MECHANISM ASSEMBLY		DRAWING & PART NO. 13129	

INLAND MANUFACTURING DIVISION

GENERAL MOTORS CORPORATION
DAYTON, OHIO



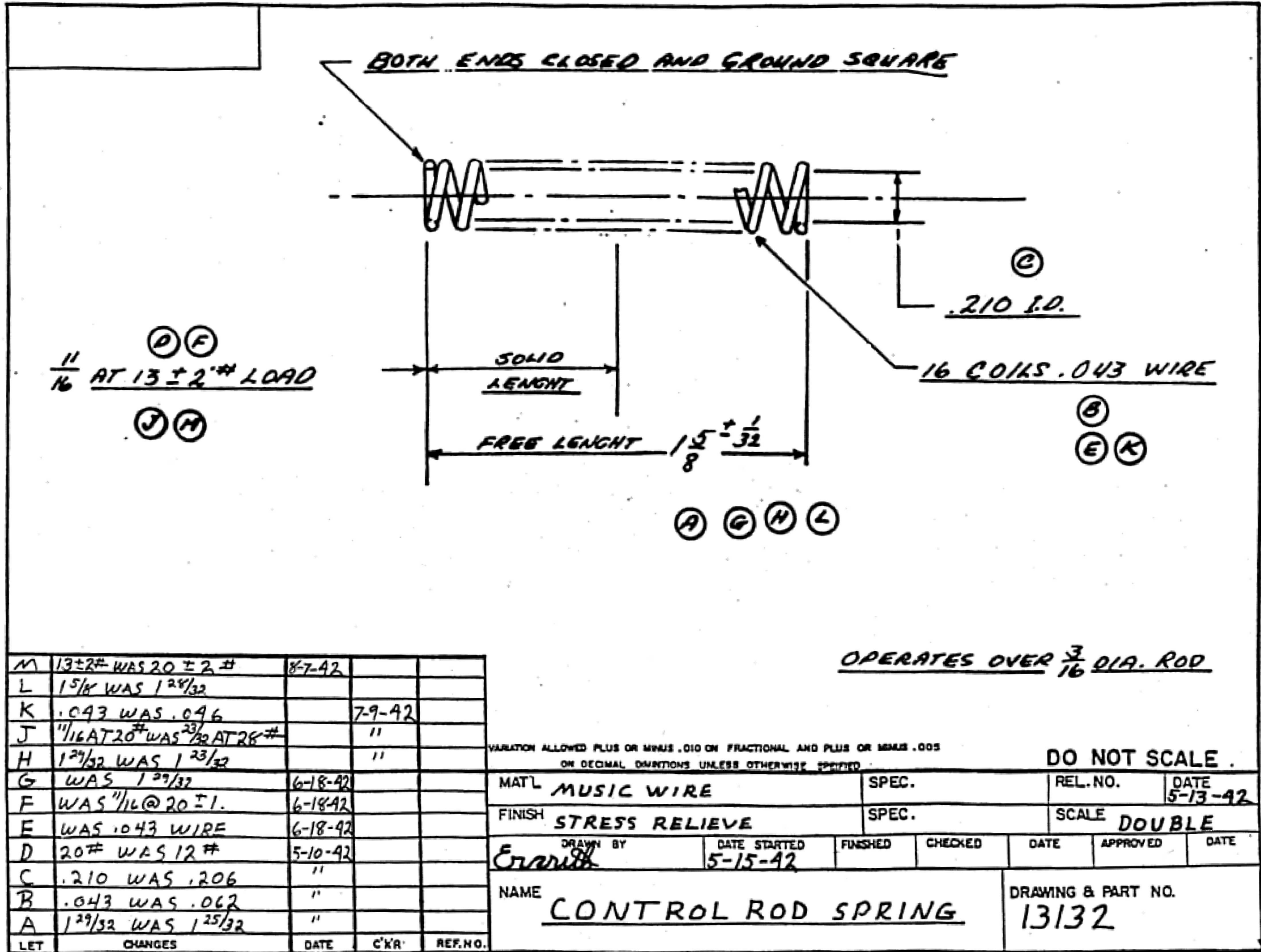
VARIATION ALLOWED PLUS OR MINUS .010 ON FRACTIONAL AND PLUS OR MINUS .005 ON DECIMAL DIMENSIONS UNLESS OTHERWISE SPECIFIED

DO NOT SCALE

					MAT'L	SPEC.	REL. NO.	DATE
					FINISH	SPEC.	SCALE	5-13-42
					DRAWN BY	DATE STARTED	FINISHED	CHECKED
					HAMISCH	5-13-42		DATE
					APPROVED	DATE	APPROVED	DATE
								5-15-42
					NAME	DRAWING & PART NO.		
					<u>YOKE ASSEMBLY</u>	13131		
A	REVISED TO DETAIL	5-22-42						
LET	CHANGES	DATE	C'KR	REF. NO.				

INLAND MANUFACTURING DIVISION

GENERAL MOTORS CORPORATION
DAYTON, OHIO



M	13 ± 2# WAS 20 ± 2#	8-7-42		
L	1 5/8 WAS 1 25/32			
K	.043 WAS .046		7-9-42	
J	11/16 AT 20# WAS 23/32 AT 28#		"	
H	1 29/32 WAS 1 23/32		"	
G	WAS 1 29/32	6-18-42		
F	WAS 11/16 @ 20 ± 1.	6-18-42		
E	WAS .043 WIRE	6-18-42		
D	20# WAS 12#	5-10-42		
C	.210 WAS .206	"		
B	.043 WAS .062	"		
A	1 29/32 WAS 1 25/32	"		
LET	CHANGES	DATE	C'KR	REF. NO.

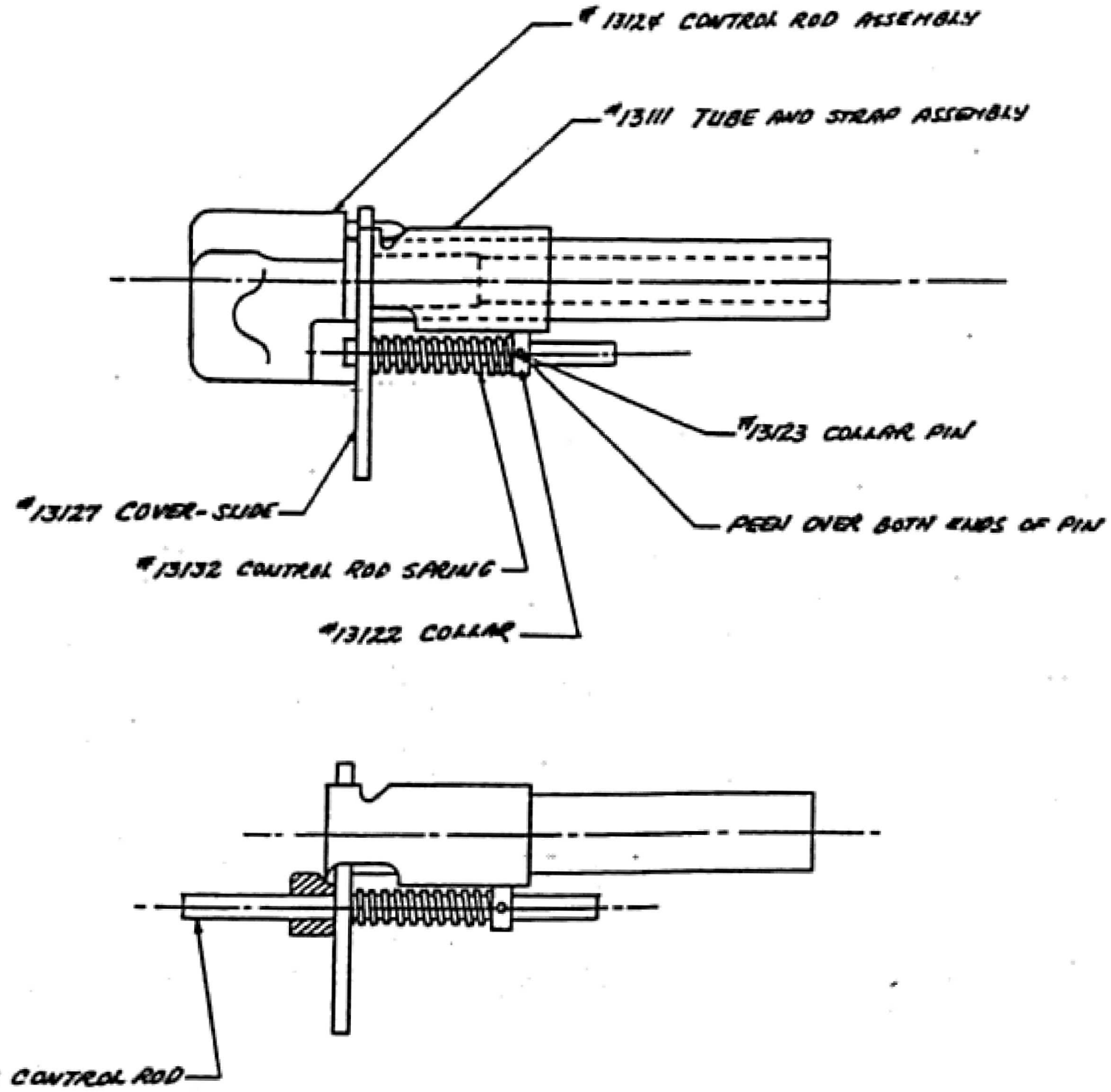
VARIAION ALLOWED PLUS OR MINUS .010 ON FRACTIONAL AND PLUS OR MINUS .005 ON DECIMAL DIMENSIONS UNLESS OTHERWISE SPECIFIED

DO NOT SCALE

MATL	MUSIC WIRE	SPEC.	REL. NO.	DATE
FINISH	STRESS RELIEVE	SPEC.	SCALE	DOUBLE
DRAWN BY	DATE STARTED	FUNISHED	CHECKED	DATE
<i>Erwin</i>	5-15-42			
NAME			DRAWING & PART NO.	
CONTROL ROD SPRING			13132	

INLAND MANUFACTURING DIVISION

GENERAL MOTORS CORPORATION
DAYTON, OHIO



OPTIONAL CONSTRUCTION
SAME AS ABOVE EXCEPT AS SHOWN

VARIATION ALLOWED PLUS OR MINUS .005 ON FRACTIONAL AND PLUS OR MINUS .002 ON DECIMAL DIMENSIONS UNLESS OTHERWISE SPECIFIED

DO NOT SCALE

CHANGES										MAT'L	SPEC.	REL. NO.	DATE			
										FINISH	SPEC.	SCALE FULL				
										DRAWN BY HAMISCH	DATE STARTED 5-19-42	FINISHED	CHECKED	DATE	APPROVED	DATE
										NAME		DRAWING & PART NO.				
										ROD TUBE AND STRAP ASSEM.		13154				
										A. REVISED TO DETAIL		7-9-42				
LET	CHANGES	DATE	C'ER	REF. NO.	LET	CHANGES	DATE	C'ER	REF. NO.							

INLAND MANUFACTURING DIVISION

GENERAL MOTORS CORPORATION
DAYTON, OHIO

UNIT PARTS LIST

Part No.	Part Name	No. Req'd	Material	Physical
13110	TUBE	1	C.R.S.	SEAMLESS
13125	TUBE STRAP	1	C.R.S.	
13108	L.H. GRIP	1	C.R.S.	
13109	R.H. GRIP	1	C.R.S.	
13117	RIVET YOKE	1	C.R.S.	
13118	RIVET LOCK	1	C.R.S.	
13113	YOKE	1	C.R.S.	
13114	YOKE LEVER	1	C.R.S.	CASE .003-.006
13115	YOKE SPRING	1	MUSIC WIRE	STRESS RELIEVE
13116	SHOULDER RIVET	1	C.R.S.	
13124-1	GUIDE PIN	1	C.R.S.	
13121	GUIDE ROD BRACKET	1	C.R.S.	
13120	CONTROL ROD	1	C.R.S.	CASE .003-.006
13132	CONTROL ROD SPRING	1	MUSIC WIRE	STRESS RELIEVE
13122	COLLAR	1	C.R.S.	CASE .003-.006
13123	COLLAR PIN	1	C.R.S.	
13127	COVER SLIDE	1	C.R.S.	
13119	LOCK SPRING	1	MUSIC WIRE	STRESS RELIEVE
131174-1	SPACER	2	M 237	
13126	SPANNER	1	C.R.S.	
13112	SNAP COVER	1	C.R.S.	HALF HARD.

LIST OF AUTHORIZED ASSEMBLIES AND SUB-ASSEMBLIES

Part No.	Part Name	No. Req'd	Remarks
13124	CONTROL ROD ASSEM.	1	DIE CAST
13111	TUBE AND STRAP ASSEM.	1	
13128	GRIP AND BODY ASSEM.	1	
13130	BODY ASSEM.	1	
13131	YOKE ASSEM.	1	
13154	ROD TUBE AND STRAP ASSEM.	1	
13134	GRIP L.H. ASSEMBLY	1	
13132	CONTROL ROD HANDLE ASSEMBLY (OPTIONAL DESIGN)	1	

WEIGHT ALLOWED PER INCH DIA. OR PER FRACTIONAL AND PER INCH DIA. OR PER FRACTIONAL WEIGHT ALLOWED PER INCH DIA. OR PER FRACTIONAL

DO NOT SCALE

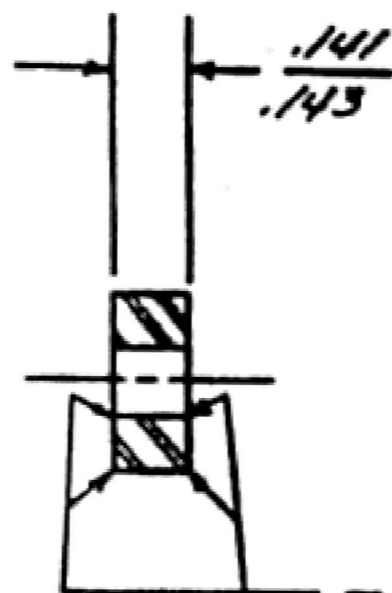
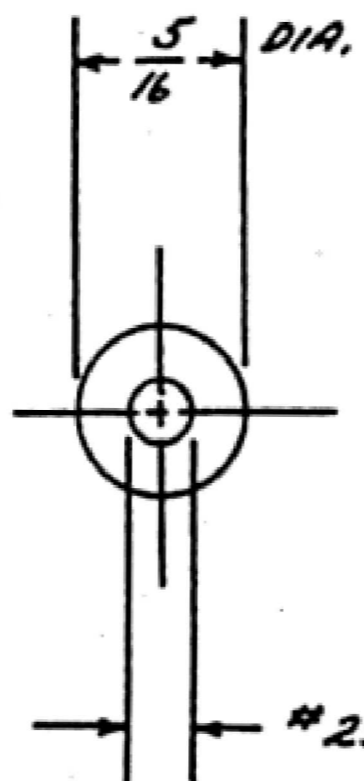
LT	CHANGES	DATE	BY	REF. NO.	LT	CHANGES	DATE	BY	REF. NO.

MATERIAL		SPEC.		REL. NO.	DATE
FINISH		SPEC.		SCALE	
DRAWN BY	DATE STARTED	FURNISHED	CHECKED	DATE	APPROVED
NAME LIST OF PARTS AND ASSEM				DRAWING & PART NO.	
FLARE PROJECTOR				13133	

A REVISED TO DETAIL 7/10/42

INLAND MANUFACTURING DIVISION

GENERAL MOTORS CORPORATION
DAYTON, OHIO

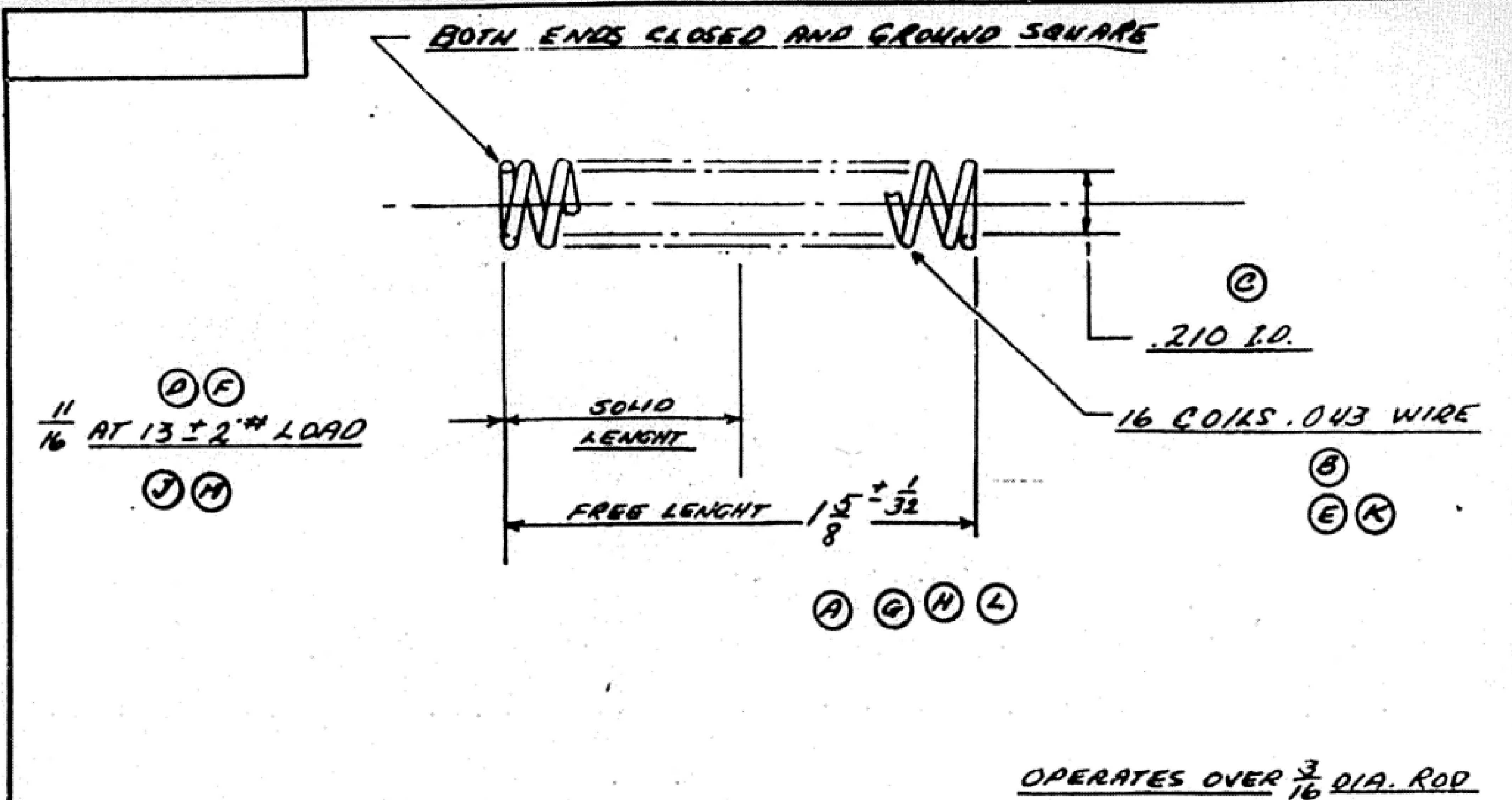


VARIAION ALLOWED PLUS OR MINUS .010 ON FRACTIONAL AND PLUS OR MINUS .003 ON DECIMAL DIMENSIONS UNLESS OTHERWISE SPECIFIED

DO NOT SCALE

					MAT'L C.D. STEEL	SPEC M-237	REL. NO.	DATE
					FINISH	SPEC.	SCALE 2X SIZE	
					DRAWN BY HAMISCH	DATE STARTED	FINISHED 7-9-92	CHECKED
						DATE	APPROVED	DATE
					NAME SPACER	DRAWING & PART NO. EX-1174-1		
LET	CHANGES	DATE	C'R'	REF. NO.				

INLAND MANUFACTURING DIVISION
 GENERAL MOTORS CORPORATION
 DAYTON, OHIO



LET.	CHANGES	DATE	C'K'R	REF. NO.

VARIATION ALLOWED PLUS OR MINUS .010 ON FRACTIONAL AND PLUS OR MINUS .005 ON DECIMAL DIMENSIONS UNLESS OTHERWISE SPECIFIED

DO NOT SCALE

MAT'L MUSIC WIRE		SPEC.		REL. NO.	DATE 5-13-42
FINISH STRESS RELIEVE		SPEC.		SCALE DOUBLE	
DRAWN BY	DATE STARTED 5-13-42	FINISHED	CHECKED	DATE	APPROVED
NAME CONTROL ROD SPRING				DRAWING & PART NO. 13132	